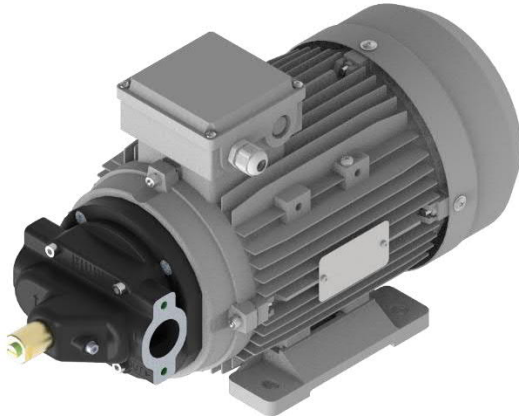


● **GEROTOR, HIGH PRESSURE PUMP - OIL. 60 ltr./min. 10 bar.**



Born from PIUSI experience into the lubricants equipment, VISCOMAT GEROTOR is an electric self-priming GEROTOR pump, for high flow rate oil transferring.

Thanks to the innovative gears with radial ports, the pump provides **high performance and a compact design that ensures a long service life**, avoiding the use of additional components.



TECHNICAL DATA

Motor	2,2 KW - 3F (IE3)/1F
Current	6,5/16,6 A
Speed	1450/1400 rpm
Viscosity max	1000 Cst
Flow rate	65 l/min
Pressure max.	9 bar
Pressure regulator*	4-9 bar
Duty	S1
Inlet/outlet	1", Flanged D80
T. Fluid Min/Max	-10°C / +100°C
Self-priming	YES

MATERIALS

Body	Cast iron
Gears/Driving shaft	Steel
Pressure Valve	Brass
Shaft Seal	Viton® FKM
Compatible fluids	Oil, Lubricants

*Pressure regulator operation is only allowed for short periods (2/3 min. max.)