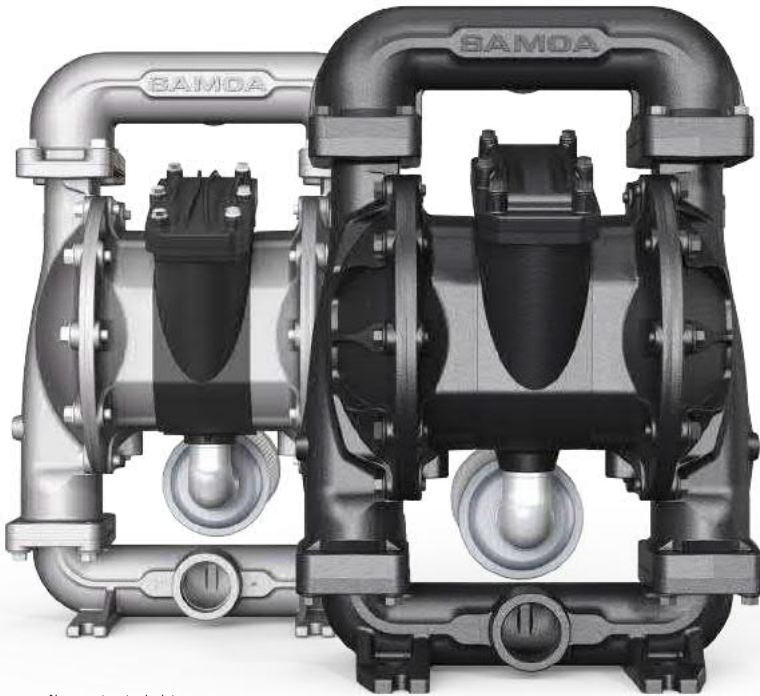


# 2" METALLIC PUMPS

The 2" (51 mm) Air Operated Double Diaphragm Pumps made of cast metal can reach a flow rate of up to 650 l/min (172 gal/min) and they offer a wide range of construction materials and porting configurations. The pump design ensures high abrasion resistance when pumping abrasive media and low flow resistance. Opposite inlet and outlet ports as standard. The discharge and inlet manifolds can rotate 180° for maximum pump installation versatility. These pumps are often used for transferring, filling, recirculating and batch dispensing in a variety of industries.

## MAIN APPLICATIONS

- CERAMIC & PORCELAIN
- PAINT & VARNISH INDUSTRY
- OIL & GAS / PETROCHEMICAL
- WASTE WATER / WATER TREATMENT
- MARINE & SHIPBUILDING
- FILTER PRESS
- MINING & CONSTRUCTION
- CHEMICAL / PROCESSING
- PULP AND PAPER / CARDBOARD



Non contractual pictures.

## TECHNICAL DATA

## UP20 METALLIC PUMPS

Pressure Ratio	1:1
Maximum Free Delivery	650 l/min (172 US gal/min)
Air pressure range	1,5 to 8 bar (20 to 120 psi)
Solids in suspension, Max. size	6,4 mm (1/4")
Max dry suction lift	5 m (16')
Max wet suction lift	8 m (26')
Displacement per cycle*	5,1 l (1.35 gal)
Fluid inlet/outlet ports (Female)	2" NPT (F) Threaded 2" BSP (F) Threaded 2" ANSI/DIN Flanged
Air Inlet Port (Female)	3/4" BSP (F) 3/4" NPT (F)
Air Exhaust Port (Female)	1 1/2" NPT (F)
Sound level	85 dB (A) @ 50 cycles/min @ 70 psi
Weight (Aluminium version)	46 kg (101 lb)
Weight (Ductile Iron version)	74 kg (163 lb)
Weight (Stainless St. version)	76 kg (168 lb)

\* Delivery per cycle depends on the diaphragms material, air inlet pressure and fluid viscosity.

## PUMP NOMENCLATURE

Example: **UP20A-BSS-TTZ**

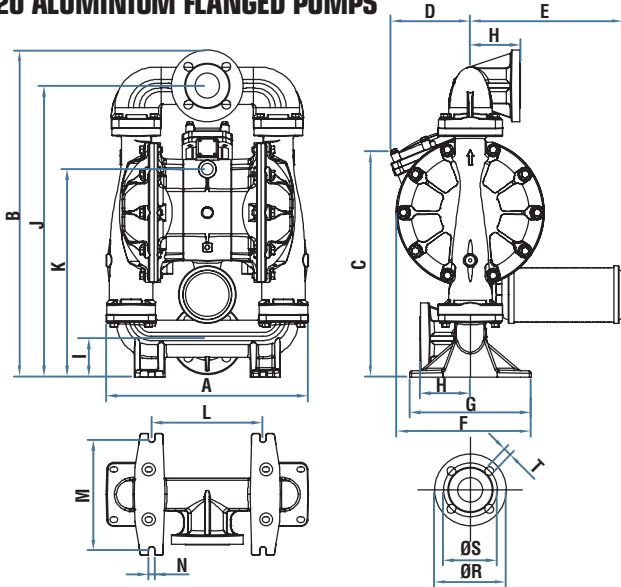
UX20X		XXX			XXX		
PUMP TYPE	AIR BODY	WETTED PATH		VALVES & DIAPHRAGMS			
1 Pump Type & Size	2 Center Body & Air Chambers	3 Fluid Ports / Location	4 Fluid Chambers & Manifolds	5 Hardware Bolts	6 Valve Seats	7 Valve Balls	8 Diaphragms Type & Material
<b>UP20</b> Universal Pump (Bolted)	<b>ATEX Certified</b> <b>A*</b> = Aluminium <b>L*</b> = Conductive polypropylene with Stainless Steel air chambers	<b>B</b> = 2" BSP Threaded Ports / Centre horizontal <b>C</b> = 2" ANSI/DIN Flanged Ports / Centre Horizontal <b>N</b> = 2" NPTF Threaded Ports / Centre Horizontal	<b>ATEX Certified</b> <b>A*</b> = Aluminium <b>F*</b> = Ductile Iron <b>S*</b> = Stainless Steel	<b>C</b> = Carbon Steel <b>S</b> = Stainless Steel	<b>A</b> = Aluminium <b>D</b> = AISI 440 Hardened Stainless Steel <b>H</b> = Hytrel® <b>M</b> = Santoprene® <b>N</b> = Nitrile (Buna-N) <b>S</b> = AISI 316 Stainless Steel <b>T</b> = PTFE (Teflon®)	<b>H</b> = Hytrel® <b>M</b> = Santoprene® <b>N</b> = Nitrile (Buna-N) <b>S</b> = AISI 316 Stainless Steel <b>T</b> = PTFE (Teflon®) <b>V</b> = FKM (Viton®)	<b>Conventional</b> <b>A</b> = Santoprene® <b>C</b> = Hytrel® <b>G</b> = Nitrile (Buna-N) <b>V</b> = FKM (Viton®) <b>Two-piece</b> <b>Z</b> = PTFE (Teflon®) with Santoprene backer) <b>Overmolded</b> <b>H</b> = Hytrel® <b>M</b> = Santoprene® <b>N</b> = Nitrile (Buna N) <b>T</b> = PTFE / EPDM (Bonded)

\* **ATEX Certified pumps** for use in hazardous locations ATEX Group II 2GDx.

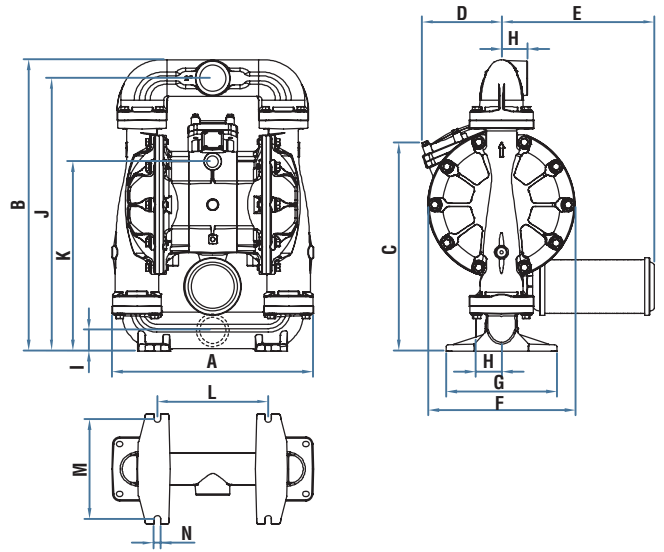
Hytrel® is a registered trademark of the DuPont Company, Viton® & Teflon® of the Chemours Company and Santoprene® of the Monsanto Company, licensed for Advanced Elastomer Systems, L.P. Kynar® is a registered trademark of Arkema, Inc.

# 2" (51 mm) METALLIC PUMPS: DIMENSIONS AND PERFORMANCE CHARTS

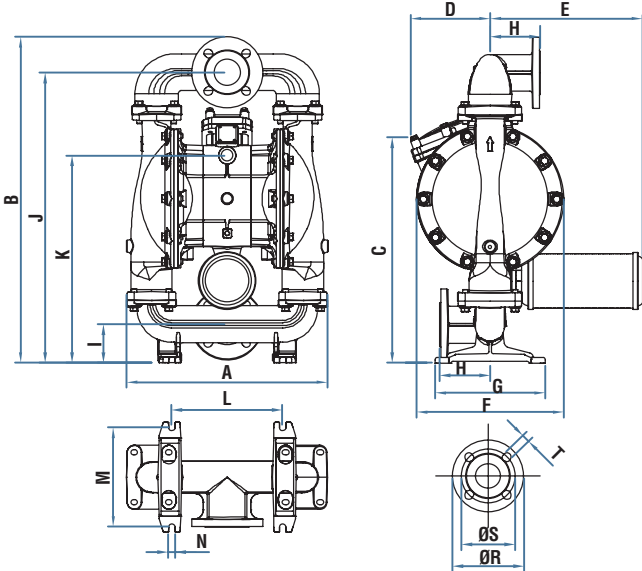
## UP20 ALUMINIUM FLANGED PUMPS



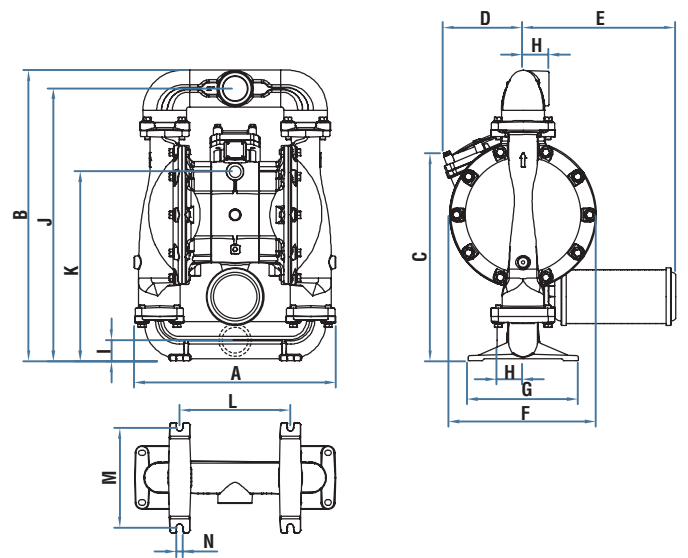
## UP20 ALUMINIUM THREADED PUMPS



## UP20 STAINLESS STEEL/IRON FLANGED PUMPS



## UP20 STAINLESS STEEL/IRON THREADED PUMPS

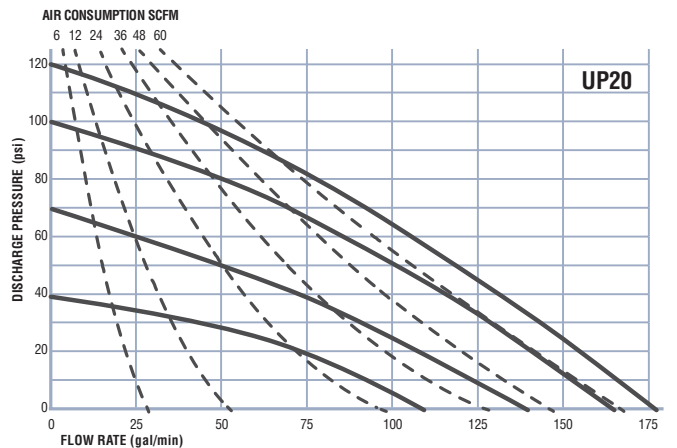
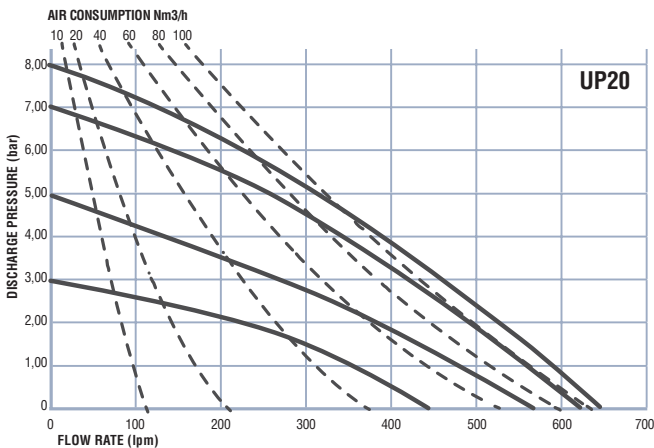


### DIMENSIONS (mm)

	A	B	C	D	E	F	G	H	I	J	K	L	M	N	R	S	T
UP20 FLANGED PUMP	465	754	251	184	353	340	255	116	89	671	479	256	230	15	165	120,6-125	19
UP20 THREADED PUMP	465	672	480	184	353	340	255	60	48	630	438	256	230	15	-	-	-

### DIMENSIONS (inches)

	A	B	C	D	E	F	G	H	I	J	K	L	M	N	R	S	T
UP20 FLANGED PUMP	18 5/16	29 11/16	9 7/8	7 1/4	13 57/64	13 25/64	10 3/64	4 9/16	3 1/2	26 27/64	18 55/64	10 5/64	9 1/16	19/32	6 1/2	4 3/4-4 59/64	3/4"
UP20 THREADED PUMP	18 5/16	26 29/64	18 57/64	7 1/4	13 57/64	13 25/64	10 3/64	2 23/64	1 57/64	24 51/64	17 1/4	10 5/64	9 1/16	19/32	-	-	-



Performance charts with water at room temperature (20 °C - 70 °F)

# 2" NON-METALLIC PUMPS

The 2" (51 mm) Air Operated Diaphragm Pumps made of injected moulded plastic parts can reach a flow rate up to 650 l/min (172 gal/min). They are available in natural or conductive polypropylene and PVDF for optimum fluid compatibility and corrosion resistance.

Lateral offset inlet and outlet ports to avoid eventual material leaks onto the pump footprint. The discharge and inlet manifolds can rotate 180° for maximum pump installation versatility. The flanged bolted ports meets both DIN and ANSI standards.

These pumps are used for transferring, filling and batch dispensing in a variety of industries.



Non contractual picture.

## MAIN APPLICATIONS

- OIL & GAS/PETROCHEMICAL
- PAINT & COATING INDUSTRY
- CHEMICAL PROCESSING
- WASTE WATER/WATER TREATMENT
- FILTER PRESS (WATER DISPOSAL)
- PLANT & MECHANICAL ENGINEERING
- PULP & PAPER/CARDBOARD
- POWER STATIONS (ENERGY)
- TANK FARM/BULK TRANSFER

## TECHNICAL DATA

## UP20 NON-METALLIC PUMPS

Pressure Ratio	1:1
Maximum Free Delivery	650 l/min (172 US gal/min)
Air pressure range	1,5 to 8 bar (20 to 120 psi)
Solids in suspension, Max. size	6,4 mm (1/4")
Max dry suction lift	5m (16')
Max wet suction lift	8 m (26')
Displacement per cycle*	5,1 l (1.35 gal)
Fluid inlet/outlet ports (Flanged)	2"ANSI/DIN. Side Ends.
Air Inlet Port (Female)	3/4" BSP (F)
(Female)	3/4" NPT (F)
Air Exhaust Port (Female)	1 1/2" NPT (F)
Sound level	85 dB (A) @ 50 cycles/min @ 70 psi
Weight (Plastic version)	28 kg (62 lb)

\* Delivery per cycle depends on the diaphragms material, air inlet pressure and fluid viscosity.

## PUMP NOMENCLATURE

Example: **UP20B-FPS-PMA**

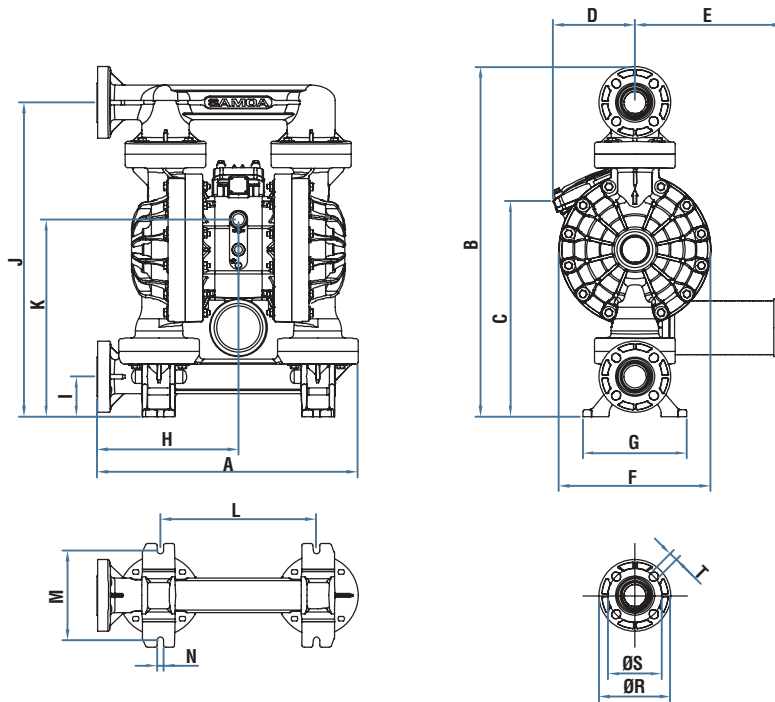
UX20X		XXX			XXX		
PUMP TYPE	AIR BODY	WETTED PATH		VALVES & DIAPHRAGMS			
1 Pump Type & Size	2 Central Body & Air Chambers	3 Fluid Ports / Location	4 Fluid Chambers & Manifolds	5 Hardware Bolts	6 Valve Seats	7 Valve Balls	8 Diaphragms Type & Material
UP20 Universal Pump (Bolted)	ATEX Certified B* = Conductive Polypropylene (black)	F = 2" ANSI/DIN Flanged Ports / Side Ends.	P = Polypropylene (white) W = PVDF (Kynar®) (graphite) <hr/> ATEX Certified B* = Conductive Polypropylene (black)	S = Stainless Steel	P = Polypropylene T = PTFE (Teflon®)	H = Hytrel® M = Santoprene® N = Nitrile (Buna-N) T = PTFE (Teflon®) V = FKM (Viton®)	<b>Conventional</b> A = Santoprene® C = Hytrel® G = Nitrile (Buna-N) V = FKM (Viton®) <b>Two-piece</b> Z = PTFE (Teflon® with Santoprene backer) <b>Overmolded</b> N = Nitrile (Buna N) H = Hytrel® M = Santoprene® T = PTFE / EPDM (Bonded)

\* ATEX Certified pumps for use in hazardous locations ATEX Group II 2GDx.

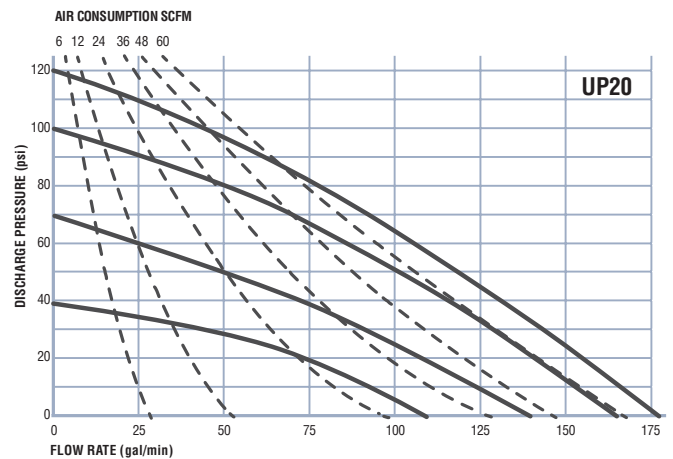
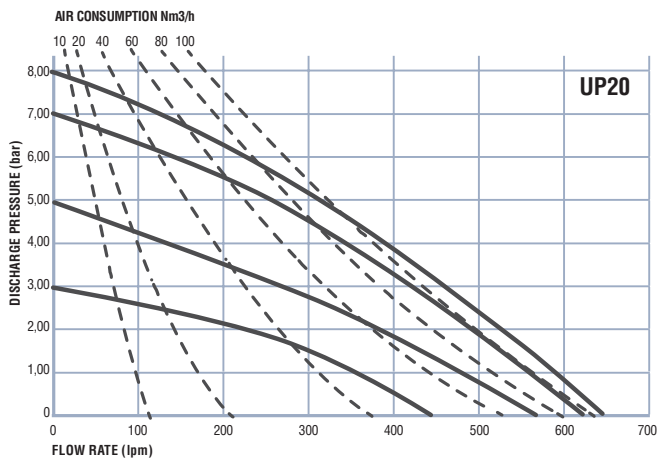
Hytrel® is a registered trademark of the DuPont Company, Viton® & Teflon® of the Chemours Company and Santoprene® of the Monsanto Company, licensed for Advanced Elastomer Systems, L.P. Kynar® is a registered trademark of Arkema, Inc.

# 2" (51 mm) NON-METALLIC PUMPS: DIMENSIONS AND PERFORMANCE CHARTS

## UP20 NON-METALLIC FLANGED PUMPS



DIMENSIONS (mm)	A	B	C	D	E	F	G	H	I	J	K	L	M	N	R	S	T
UP20 FLANGED PUMP	602	808	497	189	344	350	240	326	92	725	455	360	208	15	165	120,5-125	19
DIMENSIONS (inches)	A	B	C	D	E	F	G	H	I	J	K	L	M	N	R	S	T
UP20 FLANGED PUMP	23 45/65	31 13/16	19 9/16	7 7/16	13 35/64	13 25/32	9 29/64	12 53/64	23/64	28 35/64	17 29/32	14 11/64	8 3/16	19/32	6 1/2	4 3/4-4 59/64	3/4



Performance charts with water at room temperature (20 °C - 70 °F)