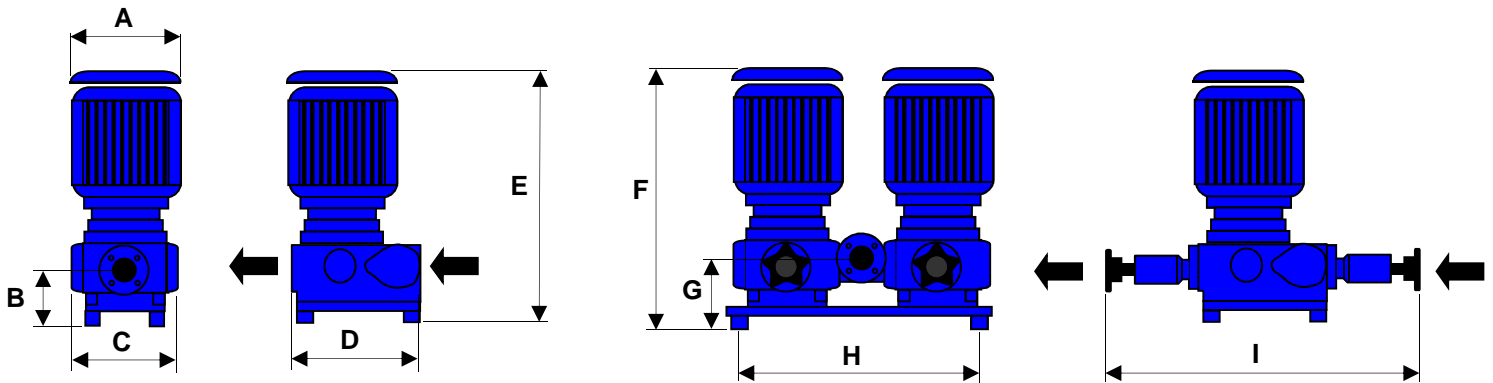


**CHARACTERISTICS**

		STANDARD	AVAILABLE OPTIONS
<b>Technology</b>		Eccentric Disc Mouvex®	
<b>Flow rate at 1 cSt m<sup>3</sup>/h (GPM)</b>		0.3 (1.32)	
<b>Displacement l (gal)</b>		0.0028 (0.0007)	
<b>Internal relief valve</b>		No	
<b>Pump per unit</b>		1	2 with by-passing valves
<b>Ports</b>		Flanges	
<b>Heating</b>		No	
<b>Dimensions mm (in.)</b>	<b>A</b>	130 (5.120)	
	<b>B</b>	70 (2.755)	
	<b>C</b>	118 (4.646)	
	<b>D</b>	150 (5.905)	
	<b>E</b>	400 (15.750)	
	<b>F</b>	410 (16.142)	
	<b>G</b>	78 (3.070)	
	<b>H</b>	280 (11.024)	
	<b>I</b>	384 (15.118)	
<b>Weight kg (lbs)</b>		11 (24.25)	With 2 pumps : 28.5 (62.83)



**OPERATING LIMITS**

	STANDARD MATERIALS
Minimum temperature °C (°F)	-10 (14)
Maximum temperature °C (°F)	80 (176)
Maximum viscosity cSt (SSU)	1000 (4637)
Maximum differential pressure bar (psi)	4 (58)
Maximum speed (rpm)	900

**MATERIALS OF CONSTRUCTION**

PART NAME	STANDARD MATERIALS	AVAILABLE OPTIONS
Casing	Cast Iron	
Cylinder	Cast Iron	
Disc	Cast Iron	
Front cover	Cast Iron	
Shaft	Carbon steel	
Bushings	Hardened iron	
Static O-rings	Nitrile	
Mechanical seal	Carbon / Stainless Nitrile O-rings	