

SB325_X/SB325_X CAR

FEATURES

- HEAVY DUTY
- VERSATILE
- BREAK-AWAY SYSTEM
- ERGONOMIC DESIGN
- SPECIFIC SPOUT FOR CARS/
LIGHT COMMERCIAL VEHICLES
- EASY AND PRACTICAL

Specifically developed for AdBlue® refilling on cars/light commercial vehicle and heavy vehicles, SB325_X and SB325_X CAR are **patented automatic nozzles by PIUSI** equipped with break-away system and stainless steel spout.

Designed in compliance with International Standards ISO/ FDIS 22241-4:2009, these two innovative automatic nozzles also feature a reliable, ergonomic and flexible shell that protects the nozzles against weathering and UV radiation.

The SB325_X CAR has a different shape compared to SB325_X and is 2,4 cm shorter, this to allow a better usability and performance in the car/commercial vehicle sector. SB325_X CAR is compatible with all PIUSI AdBlue® pumps. Use with pumps other than the PIUSI range must be subject to prior verification of the system's flow rate.

PERFORMANCE

SB325_X

UP TO 45 L/MIN	3,5 BAR MAX
FLOW RATE	OPERATING PRESSURE

SB325_X CAR

UP TO 27 L/MIN	3 BAR MAX
FLOW RATE	OPERATING PRESSURE



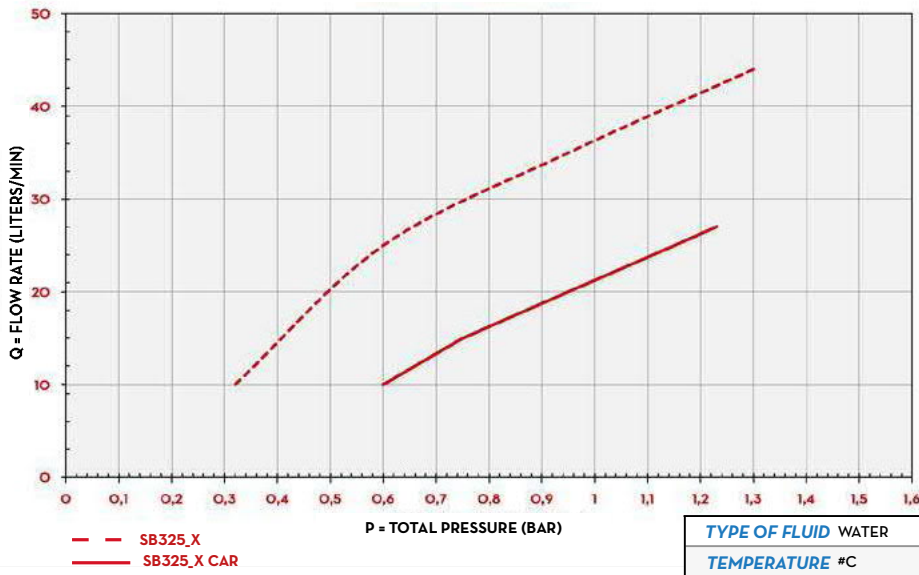
PACKAGING

CODE	WEIGHT		PACKAGING		
	KG	LBS	MM	INCH	PEZZI/BOX
FOO61700A	0,7	1,5	447X178X85	17,6X7X2,5	1
FOO617210	1,1	2,4	450X180X70	17,7X7X2,7	1



CHART

SB325_X / SB325_X CAR



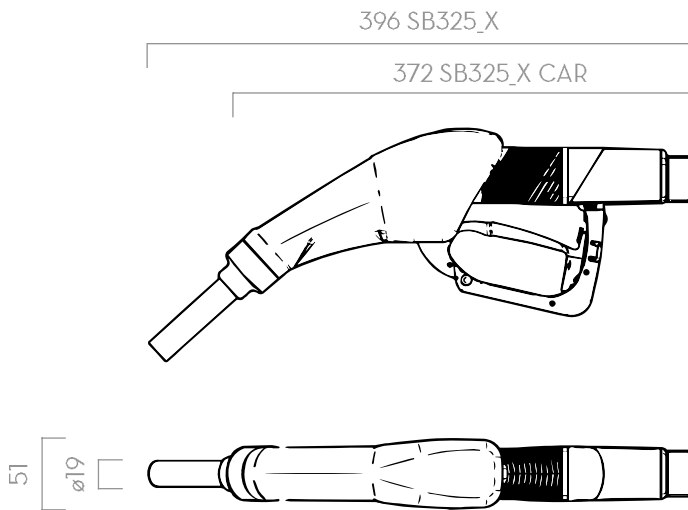
IN THE BOX

- SB325_X / SB325_X CAR NOZZLE
- INSTRUCTION MANUAL

DETAILS



DIMENSIONS



Dimensions expressed in millimeters

MATERIALS

- SPOUT: STAINLESS STEEL
- BODY: TECHNOPYLIMER

TECHNICAL DATA

CODE	DESCRIPTION	FLUIDS TYPE	FLOW RATE		MAGNETIC ADAPTOR	METER	PRESSURE	INLET	SWIVEL	SPOUT EXT. Ø
			L/MIN	GPM						
FOO61700A	AUTOMATIC NOZZLE SB325_X		45	12	NO	NO	3,5	3/4"	YES	19 MM
NEW FOO617210	AUTOMATIC NOZZLE SB325_X CAR		27	7	NO	NO	3	3/4"	YES	19 MM