

The perfect connection between rotating hoses and stationary parts

Do you need to connect fixed parts to moving sections in your installation? RS manufactures a swivel coupling that will forever put an end to leakage issues. RS swivel couplings are the perfect connection between rotating hoses and stationary parts.

The RS swivel is the ideal swivel for hoses where torsion can occur, suitable for various chemical liquids and high temperatures.

TEMPERATURE

-20 °C to +180 °C

MATERIAL

Coupling

- Aluminum
- Stainless steel AISI 316
- Brass
- Other materials upon request available

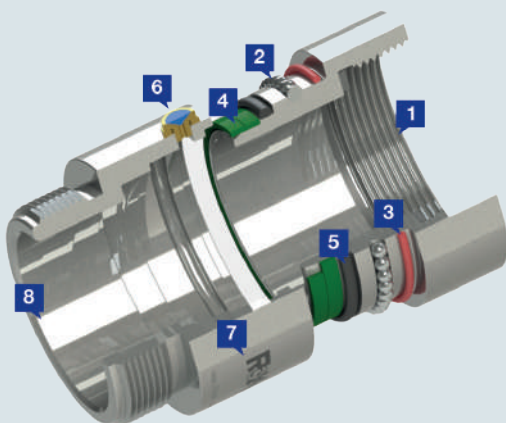
Seal

- FPM standard, others (for food, steam etc.) upon request

Standard available with a male / female BSP thread

CHARACTERISTICS

- low maintenance
- easy assembly
- compact design
- equipped with a grease nipple
- max. speed 40 RPM, depending on the operating pressure
- not suitable for continuous rotation



- 1 Female thread, flat sealed
- 2 Hardened SS440C ball bearings
- 3 Wear identification silicon dust protection
- 4 Stabilisation gliding strips self lubricated
- 5 Precision sealing ring, low friction
- 6 Grease nipple
- 7 Performance and traceability marking
- 8 Male thread, flat sealed with extended head

RS SWIVEL COUPLINGS

RS SWIVEL COUPLING MALE/FEMALE

ND	Inch	Thread EN ISO 228-1	Material	Working pressure	Rotations per min.	Temp. °C	
15	1/2	G 1/2	Stainless steel	25	40	180	RSSWIVELT013SS
20	3/4	G 3/4	Stainless steel	25	40	180	RSSWIVELT019SS
25	1	G 1	Stainless steel	25	40	180	RSSWIVELT025SS
32	1.1/4	G 1.1/4	Stainless steel	20	35	180	RSSWIVELT032SS
40	1.1/2	G 1.1/2	Stainless steel	20	35	180	RSSWIVELT038SS
50	2	G 2	Stainless steel	16	30	180	RSSWIVELT050SS
65	2.1/2	G 2.1/2	Stainless steel	16	-	180	on request



RS SWIVEL COUPLING MALE/FEMALE

ND	Inch	Thread EN ISO 228-1	Material	Working pressure	Rotations per min.	Temp. °C	
15	1/2	G 1/2	Brass	40	40	120	RSSWIVELT013BR
20	3/4	G 3/4	Brass	40	40	120	RSSWIVELT019BR
25	1	G 1	Brass	40	40	120	RSSWIVELT025BR
32	1.1/4	G 1.1/4	Brass	20	35	120	RSSWIVELT032BR
40	1.1/2	G 1.1/2	Brass	20	35	120	RSSWIVELT038BR
50	2	G 2	Brass	16	35	120	RSSWIVELT050BR
65	2.1/2	G 2.1/2	Brass	16	-	120	on request



RS SWIVEL COUPLING MALE/FEMALE

ND	Inch	Thread EN ISO 228-1	Material	Working pressure	Rotations per min.	Temp. °C	
15	1/2	G 1/2	Aluminium	16	40	80	RSSWIVELT013A5
20	3/4	G 3/4	Aluminium	16	40	80	RSSWIVELT019A5
25	1	G 1	Aluminium	16	40	80	RSSWIVELT025A5
32	1.1/4	G 1.1/4	Aluminium	16	35	80	RSSWIVELT032A5
40	1.1/2	G 1.1/2	Aluminium	16	35	80	RSSWIVELT038A5
50	2	G 2	Aluminium	16	30	80	RSSWIVELT050A5
65	2.1/2	G 2.1/2	Aluminium	16	-	80	on request

