



CAR FILLING



FUEL MANAGEMENT SYSTEMS



KITS



PUMPS



METERS



METERED NOZZLES

# SUZZARABLUE DRUM

## FEATURES

- DESIGNED FOR 200 L DRUM
- EASY TO INSTALL
- SUZZARABLUE PUMP

The PIUSI SUZZARABLUE DRUM is the solution for all the AdBlue® drum applications. Its adjustable bracket allows an easy installation on any kind of barrel.

## PERFORMANCE

UP TO

**32 L/MIN**

FLOW RATE

**AC**

VOLTAGE

POWER

**20 MIN**

DUTY CYCLE



**SUZZARABLUE DRUM**

## PACKAGING

| CODE      | WEIGHT |      | PACKAGING   |                |         |
|-----------|--------|------|-------------|----------------|---------|
|           | KG     | LBS  | MM          | INCH           | PCS/BOX |
| FOO20135E | 16     | 35,3 | 470X370X265 | 18,3X14,6X10,4 | 1       |
| FOO201D5C | 16     | 35,3 | 470X370X265 | 18,3X14,6X10,4 | 1       |
| FOO201E5C | 16     | 35,3 | 470X370X265 | 18,3X14,6X10,4 | 1       |



NOZZLES



FILTRATION



TANK MONITORING



HOSE REEL



ACCESSORIES



MERCHANDISE

INDEX



AIR



ANTIFREEZE



AdBlue®



BIODIESEL



DIESEL



FOOD



GASOLINE



GREASE



KEROSENE



OIL

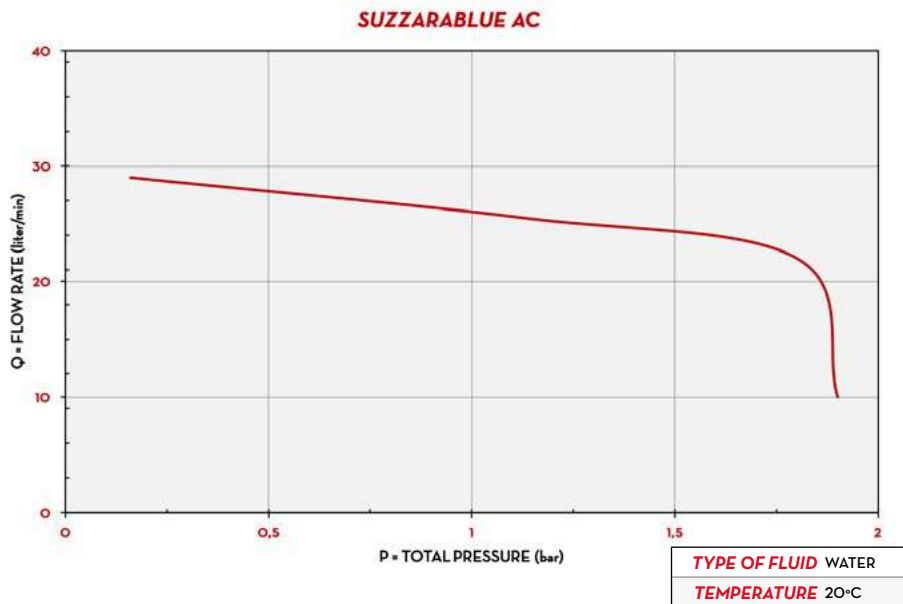


WATER

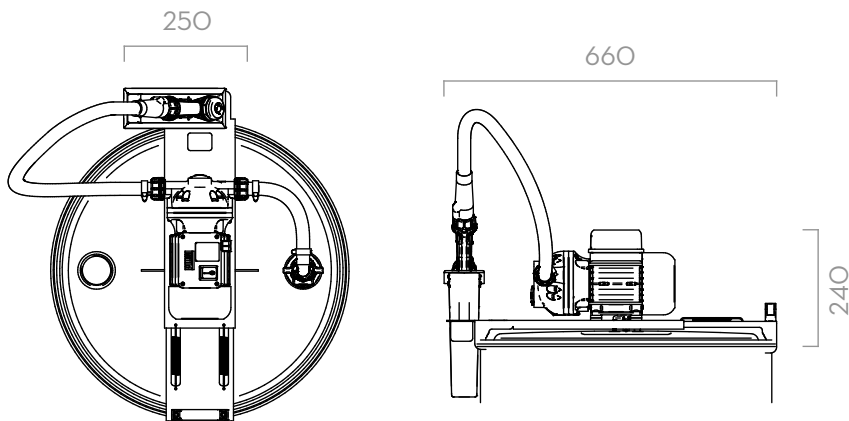


WINDSCREEN

## CHART



## DIMENSIONS



Dimensions expressed in millimeters

## IN THE BOX

- SUZZARABLU DRUM UNIT
- SB325\_X / SB325\_X METER NOZZLE (ON REQUEST)
- AF2 CONNECTOR
- SUCTION PIPE
- DELIVERY HOSE
- INSTRUCTION MANUAL

## DETAILS



SUZZARABLU PUMP AC



AF2 CONNECTOR



SUCTION PIPE

## COMPONENTS

- **PUMP:**  
SUZZARABLU PUMP AC                      PAG. 68
- **NOZZLE:**  
SB325\_X METER                              PAG. 104  
SB325\_X                                        PAG. 114  
SUZZARABLU MANUAL NOZZLE        PAG. 118

## TECHNICAL DATA

| CODE      | DESCRIPTION                             | FLUIDS TYPE | FLOW RATE |     | VOLTAGE         |            |           | METER MOD. | NOZZLE TYPE | SUCTION | HOSE   |      | ON/OFF SWITCH |
|-----------|---|-------------|-----------|-----|-----------------|------------|-----------|------------|-------------|---------|--------|------|---------------|
|           |   |             | L/MIN     | GPM | AC V/HZ DC VOLT | POWER WATT | AMP. MAX. |            |             |         | LENGHT | Ø    |               |
| FOO20135E | SUZZARABLU DRUM 230V/50HZ               |             | 32        | 8,5 | 230/50          | 400        | 495       | NO         | MAN.        | AF2     | 6 M    | 3/4" | YES           |
| FOO201D5C | SUZZARABLU DRUM 230V/50HZ - SB325_X     |             | 32        | 8,5 | 230/50          | 400        | 495       | NO         | SB325       | AF2     | 6 M    | 3/4" | YES           |
| FOO201E5C | SUZZARABLU DRUM 230V/50HZ - SB325_X MET |             | 32        | 8,5 | 230/50          | 400        | 495       | NO         | SB325       | AF2     | 6 M    | 3/4" | YES           |

# SUZZARABLU DRUM

DRUM

53