

PIUSI HAND PUMP

FEATURES

- OPTIMIZED SUCTION CAPACITY
- STURDY CONNECTOR
- HEAVY DUTY LEVER
- FLUENT REVOLUTION
- HIGH EFFICIENCY
- ADJUSTABLE SUCTION PIPE

The PIUSI HAND PUMP is a rotary vane pump suitable for transferring low viscosity oils and diesel. Entirely designed, manufactured and certified in Italy, this sturdy pump guarantees a professional performance and easy transfer.

PERFORMANCE

UP TO 38L PER 100 REVOLUTIONS FLOW RATE	3MT LENGTH DELIVERY HOSE
---	---------------------------------------



PIUSI HAND PUMP - IBC VERSION

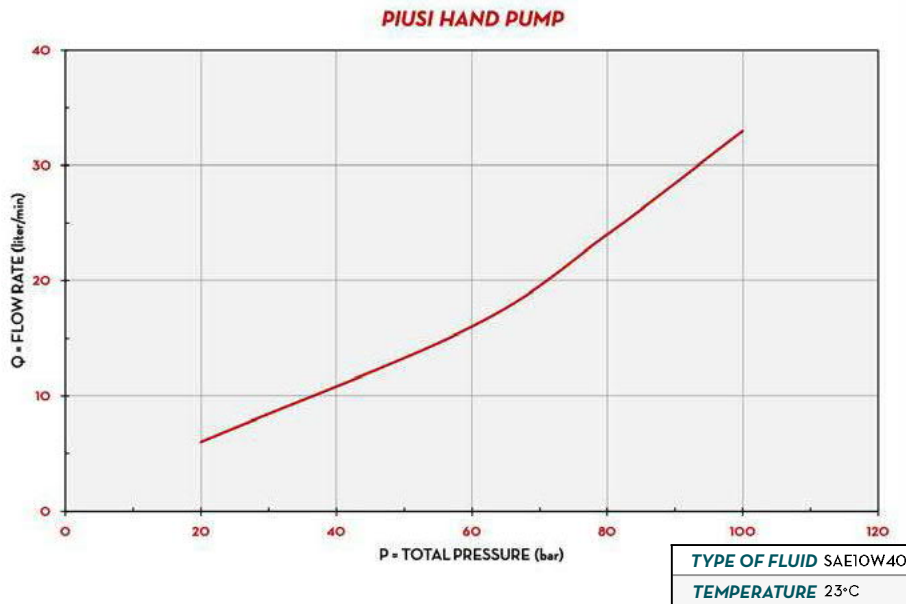


PACKAGING

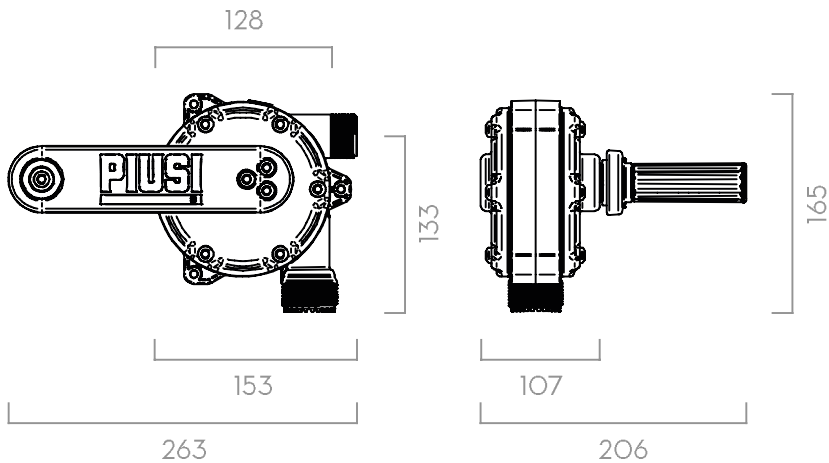
CODE	WEIGHT		PACKAGING			N. BOX / EUROPALLET	
	KG	LBS	MM	INCH	PCS/BOX	✕	
WITHOUT HOSE							
FO033250A	2,1	4,6	350X170X140	-	1	50	100
WITH HOSE							
FO033252A	3,2	7	300X300X180	-	1	50	100
IBC VERSION							
FO03325B0	3,1	6,8	300X300X180	18,8X11,8X7,1	1	-	-



CHART



DIMENSIONS



Dimensions expressed in millimeters

IN THE BOX

- PIUSI HAND PUMP
- SPOUT
- SUCTION PIPE (DRUM VERS.)
- DRUM CONNECTOR (DRUM VERS.)
- IBC MOUNT BRACKET
- SUCTION PIPES (IBC VERS.)
- CONNECTOR AF2 (2"/56X4) IBC VERS.
- INSTRUCTION MANUAL

DETAILS



MATERIALS

- BODY: STAINLESS STEEL, TECHNOPOLYMER
- ROTOR: TECHNOPOLYMER
- VANES: TECHNOPOLYMER

TECHNICAL DATA

CODE	DESCRIPTION	FLUIDS TYPE	CAPACITY FOR 100 REVOLUTIONS		DRUM CONNECTOR	IBC BRACKET	SUCTION PIPE	"S" SPOUT AND HOSE TAIL	DELIVERY HOSE LENGHT	
			L	USG						
WITHOUT HOSE										
FO033250A	PIUSI HAND PUMP 2" BSP	D O	38	10	2" BSP	-	YES	YES	-	
WITH HOSE										
FO033252A	KIT PIUSI HAND PUMP 2" BSP WITH HOSE	D O	38	10	2" BSP	-	YES	-	3M	
IBC VERSION										
NEW FO03325BO	PIUSI HAND PUMP IBC DIESEL/OIL	D O	38	10	-	YES	YES	YES	2,5M	