



KITS



PUMPS



METERS



METERED NOZZLES



NOZZLES



WASTE OIL EQUIPMENTS

DUMBOX

FEATURES

- **READY TO USE**
- **EXTREMELY PRECISE**
- **ADJUSTABLE SPOUT**
- **SUITABLE FOR ANY LIQUID**

The PIUSI DUMBOX is an immediate way to dispense lubricants. Its adjustable spout, which includes a built-in filter (only funnel version), allows a precise refill operation avoiding any spread of fluid.

PERFORMANCE

UP TO

5L

CAPACITY

UP TO

Ø220MM

FUNNEL



DUMBOX



PACKAGING

CODE	WEIGHT		PACKAGING			
	KG	LBS	MM	INCH	PCS/PALLET	PCS/BOX

CONTAINER

FO0920000	0,8		590X700X575			24
FO09117000	6		510X410X540			24
FO091600A	8		510X410X540			50

FUNNEL

FO093000A	5,8		405X520X540			24
FO093100A	7,8		405X520X535			50



FILTRATION



FLUID MONITORING



TANK MONITORING



HOSE REELS



ACCESSORIES



MERCHANDISE

INDEX



AIR



ANTIFREEZE



AdBlue®



BIODIESEL



DIESEL



FOOD



GASOLINE



GREASE



KEROSENE



OIL

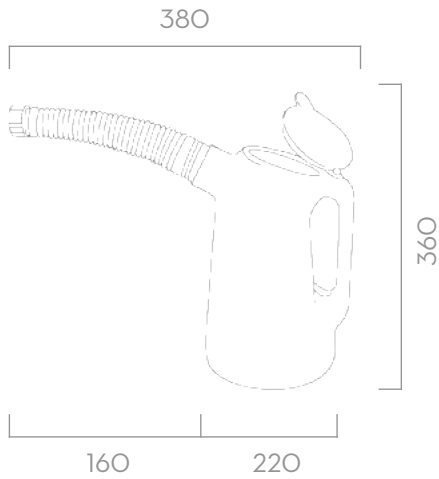


WATER



WINDSCREEN

DIMENSIONS



Dimensions expressed in millimeters

IN THE BOX

- DUMBOX

DETAILS



FLEXIBLE



BUILT-IN FILTER



CAP

MATERIALS

- TECHNOPOLYMER

TECHNICAL DATA

CODE	DESCRIPTION	FLUIDS TYPE
------	-------------	-------------

CONTAINER

FO0920000	CONTAINER 5 LITRES	
FO0917000	CONTAINER 2 LITRES	
FO091600A	CONTAINER 1 LITRE	

FUNNEL

FO093000A	FUNNEL Ø 180 MM	
FO093100A	FUNNEL Ø 220 MM	

DUMBOX