



MCBOX B.SMART

FEATURES

- IDEALS FOR EXISTING PLANTS
- SUITABLE FOR ANY PUMPS
- PULSE METER INPUT
- NATIVE WITH B.SMART CLOUD SOFTWARE

MCBOX is an electronic control panel that allows you to control any type of AC/DC pump, pulser litre-counter, nozzle and fuel level switches. The perfect product to upgrade an existing installation or for a customized assembly. With MC BOX B.SMART the B.SMART fuel management system is integrated. No need for software to be installed on a PC: B.SMART works in the Cloud and allows you to monitor all fuel transactions in real time, from any site where MCBOX B.SMART is installed. Communication between MCBOX B.SMART, Phone App and Cloud Software is simple.

PERFORMANCE

AC/DC

VOLTAGE
POWER

UP TO

500

STORABLE
TRANSACTIONS

**2 PUMPS
VERSION**

OUTPUT

BLUETOOTH

CONNECTION



MC BOX B.SMART



PACKAGING

CODE	WEIGHT		PACKAGING			N. BOXES / EUROPALLET	
	KG	LBS	MM	INCH	PCS/BOX	X	

AC VERSIONS

FO0599000	5,2	11,5	300X300X180	11.8X11.8X7.1	1	-	-
FO0599040	5,2	11,5	300X300X180	11.8X11.8X7.1	1	-	-
FO0599080	5,2	11,5	300X300X180	11.8X11.8X7.1	1	-	-
FO0599200	5,3	11,6	300X300X180	11.8X11.8X7.1	1	-	-
FO0599240	5,3	11,6	300X300X180	11.8X11.8X7.1	1	-	-
FO0599280	5,3	11,6	300X300X180	11.8X11.8X7.1	1	-	-

DC VERSIONS

FO0599010	5,4	11,8	300X300X180	11.8X11.8X7.1	1	-	-
FO0599050	5,4	11,8	300X300X180	11.8X11.8X7.1	1	-	-
FO0599090	5,4	11,8	300X300X180	11.8X11.8X7.1	1	-	-
FO0599060	5,4	11,8	300X300X180	11.8X11.8X7.1	1	-	-
FO0599070	5,4	11,8	300X300X180	11.8X11.8X7.1	1	-	-
FO0599110	5,4	11,8	300X300X180	11.8X11.8X7.1	1	-	-



FILTRATION



TANK MONITORING



HOSE REEL



ACCESSORIES



MERCHANDISE



AIR



ANTIFREEZE



AdBlue®



BIODIESEL



DIESEL



FOOD



GASOLINE



GREASE



KEROSENE



OIL



WATER



WINDSCREEN

CONNECTION SCHEME



PUMP CONTROL



PULSE METER INPUT



TANK LEVEL INDICATOR



NOZZLE SWITCH



IN THE BOX

- MCBOX B.SMART UNIT
- DRIVER ACCESS ADD-ON
- INSTRUCTION MANUAL

DETAILS



SHUTTER



B.SMART MOBILE APP

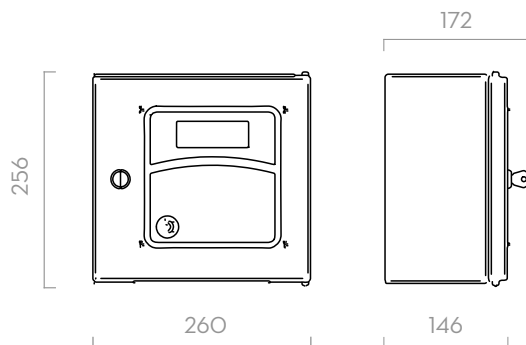


B.SMART CLOUD SOFTWARE



EASY ACCESS TO CONNECTION

DIMENSIONS



Dimensions expressed in millimeters

TECHNICAL DATA

CODE	DESCRIPTION	FLUIDS TYPE	VOLTAGE				B.SMART CLOUD
			AC V./HZ DC VOLT	50/60 HZ	POWER WATT	AMP. MAX.	
AC VERSIONS							
FO0599000	MCBOX 100-240V B.SMART 10 DRIVERS	ANY	100V-240V	50/60 HZ	5W	15 A	INCLUDED
FO0599040	MCBOX 100-240V B.SMART 20 DRIVERS	ANY	100V-240V	50/60 HZ	5W	15 A	INCLUDED
FO0599080	MCBOX 100-240V B.SMART 50 DRIVERS	ANY	100V-240V	50/60 HZ	5W	15 A	INCLUDED
FO0599200	MCBOX 100-240V B.SMART 10 DRIVERS 2 PUMPS	ANY	100V-240V	50/60 HZ	5W	15 A	INCLUDED
FO0599240	MCBOX 100-240V B.SMART 20 DRIVERS 2 PUMPS	ANY	100V-240V	50/60 HZ	5W	15 A	INCLUDED
FO0599280	MCBOX 100-240V B.SMART 50 DRIVERS 2 PUMPS	ANY	100V-240V	50/60 HZ	5W	15 A	INCLUDED
DC VERSIONS							
FO0599010	MCBOX 12V B.SMART 10 DRIVERS	ANY	12 V	-	5W	50 A	INCLUDED
FO0599050	MCBOX 12V B.SMART 20 DRIVERS	ANY	12 V	-	5W	50 A	INCLUDED
FO0599090	MCBOX 12V B.SMART 50 DRIVERS	ANY	12 V	-	5W	50 A	INCLUDED
FO0599060	MCBOX 24V B.SMART 10 DRIVERS	ANY	24 V	-	5W	25 A	INCLUDED
FO0599070	MCBOX 24V B.SMART 20 DRIVERS	ANY	24 V	-	5W	25 A	INCLUDED
FO0599110	MCBOX 24V B.SMART 50 DRIVERS	ANY	24 V	-	5W	25 A	INCLUDED

MCBOX B.SMART