



# X-BLUE IBC KIT



WATER



## ACCESSORIES for all versions

- hose kit available in 3 versions
- "In Line Ad Blue®" flow meter
- automatic or manual nozzle



FEATURES	12V DC	230V AC 50Hz	230V AC 60Hz	115V AC
Voltage [V, Hz]:	12 DC	230, 50	230, 60	115, 60
Max current [A]:	20	1,95	1,95	3.5
Power [W]:	200	350	350	350
Motor protection:	IP55	IP55	IP55	IP55
Handle:	yes	sì	yes	sì
On / Off switch:	yes	sì	yes	sì
Cable [m]:	4	2	2	2
Duty Cycle [min]:	S2 20	S2 20	S2 20	S2 20
Flow Rate max [LPM / GPM]:	36 / 9.2	34 / 9	34 / 9	34 / 9
Max Pressure [Bar]:	1,5	1,5	1,5	1,5
Dry Suction height [m]:	2	2	2	2
Inlet fitting:	1" M	1" M	1" M	1" M
Outlet fitting:	1" M	1" M	1" M	1" M
Gasket material :	Viton	Viton	Viton	Viton
Motor support:	yes	yes	yes	sì
Drip tray:	yes	yes	yes	sì
Temperature min-max [°C]:	-5/+40	-5/+40	-5/+40	-5/+40
Allowed fluids:	Ad Blue®, AUS 32, Water			
Forbidden fluids:	gas, alcool, diesel, gasoline, kerosene			
Loudness at less 1 meter[dB]:	70	70	70	70
Net weight [kg]:	5	5	5	5
Gross weight [kg]:	5,5	5,5	5,5	5,5



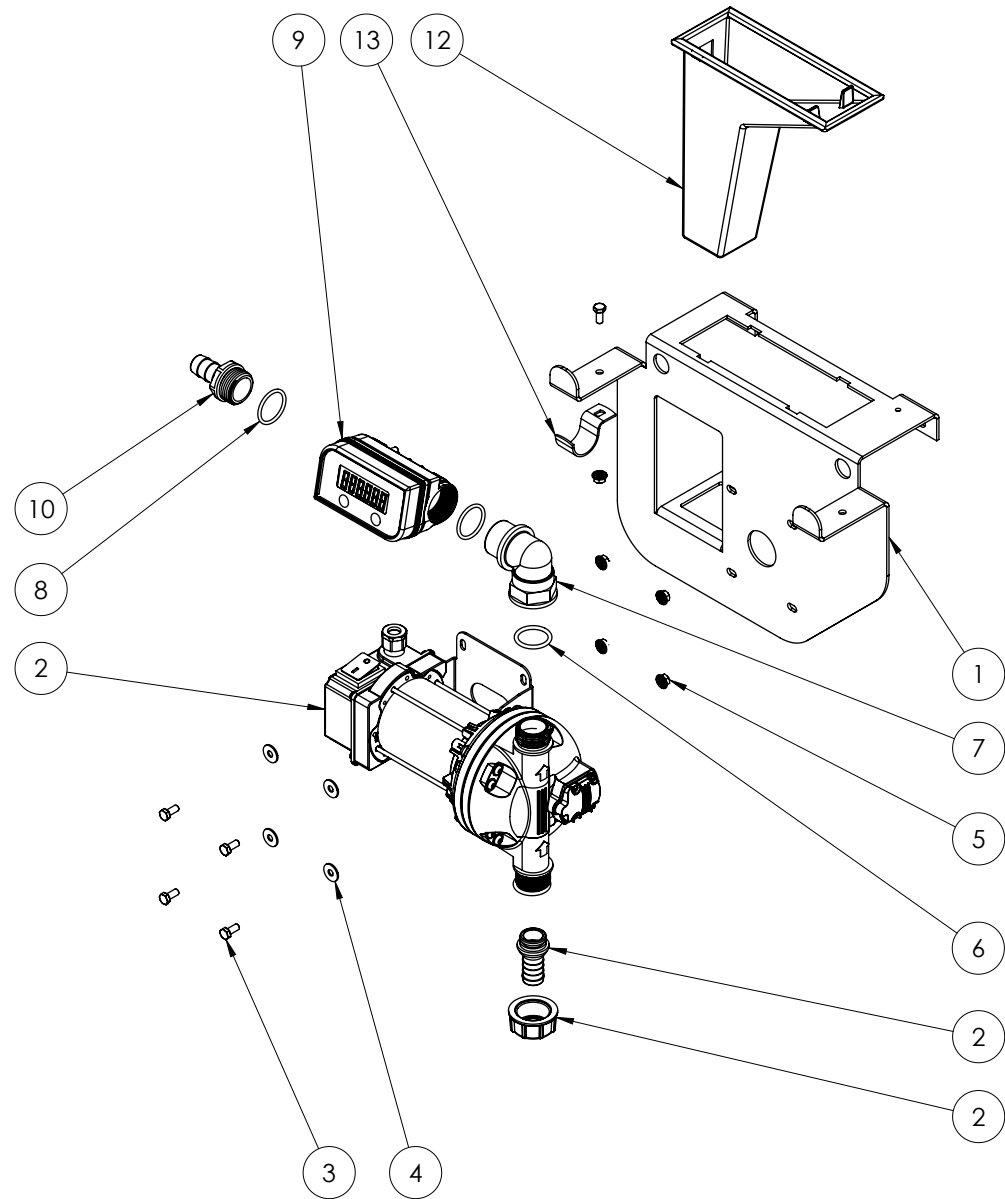
category

urea transfer kit

model

# X-BLUE IBC KIT

	CODE	DESCRIPTION	Q.TY
1	AB046	MOUNTING BRACKET	1
2	-	PUMP XBLUE PUMP	1
3	80232320100	SCREW TE M6x14 ISO 4014	5
4	83102322100	WASHER Ø6 ISO 7093	4
5	71000112	FLANGED NUT M6 ISO 4161	5
6	OR007	O-Ring 4112 FKM	2
7	AB033	PLASTIC COUPLING 90° 1" M-F BLACK	1
8	OR020	O-Ring 30x3 FKM 75	2
9	-	METER IN-LINE UREA METER	1
10	160510100000	PLASTIC HOSE STEM 1x20	1
11	OR041	O-RING 4112	1
12	AB047	NOZZLE HOLDER KIT IBC PLASTIC	1
13	AB019	METAL HOSE LOCKER	1





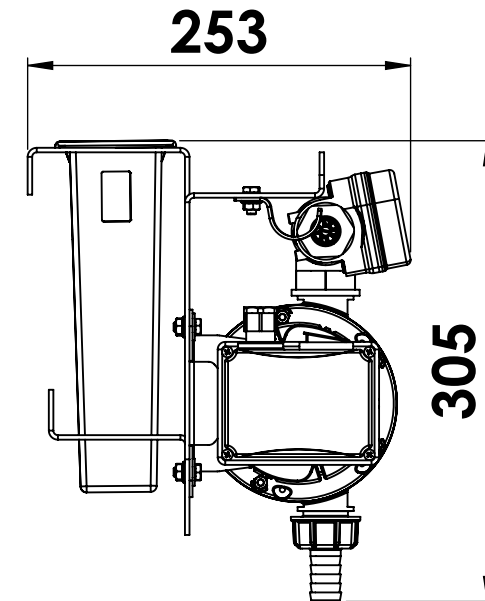
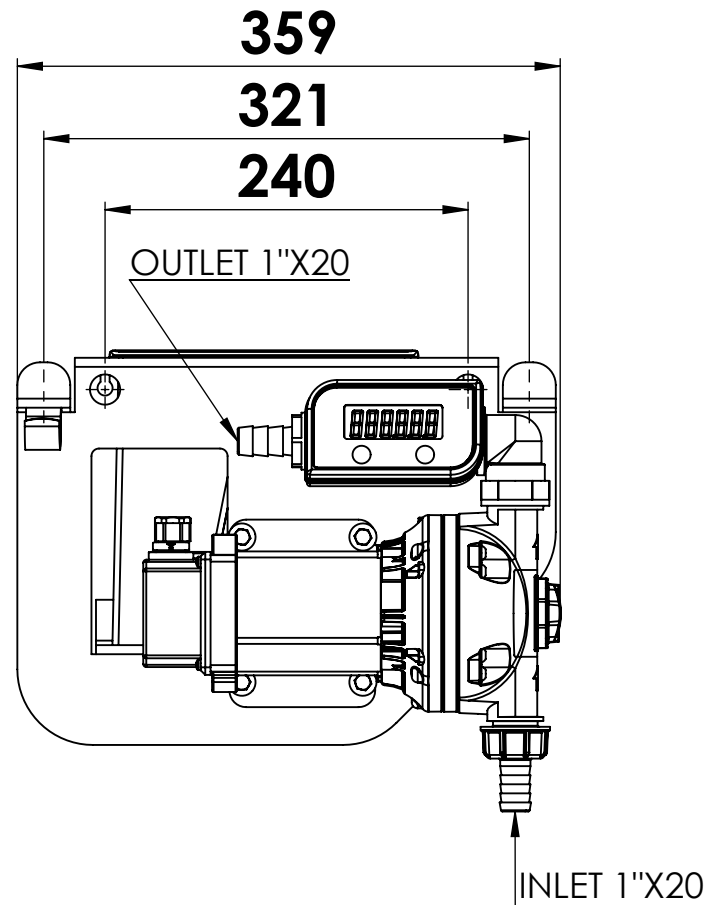
documento - document

ingombri - overall dimensions

prodotto - product

MADE IN ITALY 

# X-BLUE IBC KIT



tutte le dimensioni espresse in mm - all dimensions are in mm