



FUEL MANAGEMENT SYSTEMS



DISPENSERS



KITS



PUMPS



METERS



NOZZLES

# K90

## FEATURES

- EASY TO CALIBRATE
- RELIABILITY AND ACCURACY: TESTED FOR MORE THAN 4 MILLION LITERS DISPENSED
- HIGH VISIBILITY 3-DIGIT NUMERIC DISPLAY AND 7-DIGIT TOTALIZER
- 90° IN-OUT FLOW: ALLOWS THE USER TO AVOID THE USE OF ADDITIONAL FITTINGS IN THE DISPENSING SYSTEM
- NO BATTERY NEEDED

The new PIUSI K90 flow meters enters the high-precision range: the accurate mechanical meter is ideal for environments requiring a compact, simple and easy to install product. It is suitable for a wide range of industries, from construction to logistics, agriculture or mining. The PIUSI K90 can be installed on fuel transfer systems with flow rates from 20 to 90 l/min, and thanks to its accuracy of  $\pm 0.6\%$  in the 50-70 l/min dispensing range, it is positioned as one of the most accurate solutions in the mechanical flow meter segment.

### PERFORMANCE

**20-90 L/MIN**

FLOW RATE

**3,5 BAR**

WORKING PRESSURE MAX.

**$\pm 0,6\%$**

(RANGE 50-70 L/MIN)

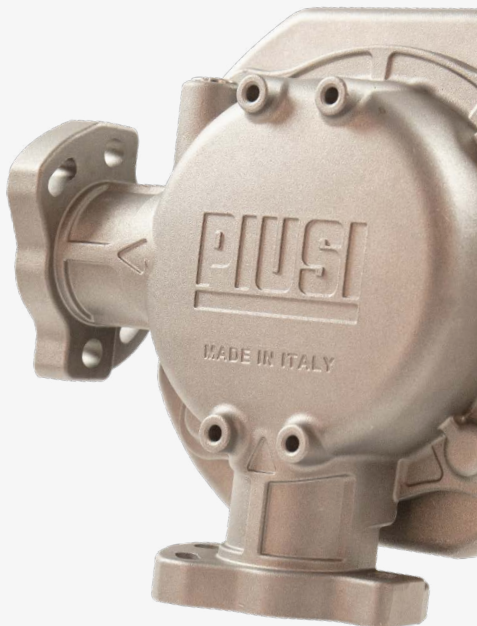
ACCURACY

**$\pm 0,3\%$**

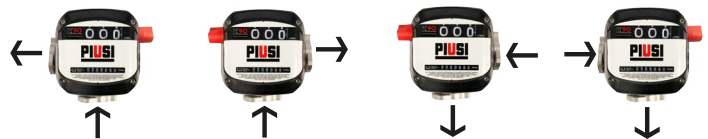
REPEATIBILITY



**K90**  
(No threaded flanges.)



FLUID DIRECTION



CODE	FO09SW000	FO09SE000	FO09ES000	FO09WS000
SUCTION	Below	Below	Right	Left
DELIVERY	Left	Right	Below	Below

### PACKAGING

CODE	WEIGHT		PACKAGING			N. BOX / EUROPALET	
	KG	LBS	MM	INCH	PCS/BOX		
FO09ES000	2,068	4,55	180X180X170		1	192	240
FO09SE000	2,068	4,55	180X180X170		1	192	240
FO09SW000	2,068	4,55	180X180X170		1	192	240
FO09WS000	2,068	4,55	180X180X170		1	192	240



FILTRATION



TANK MONITORING



HOSE REEL



ACCESSORIES



MERCHANDISE

# PIUSI



ANY BIODIESEL



AIR



ANTIFREEZE



AdBlue®



BIODIESEL



DIESEL



FOOD



GASOLINE



GREASE



KEROSENE



OIL



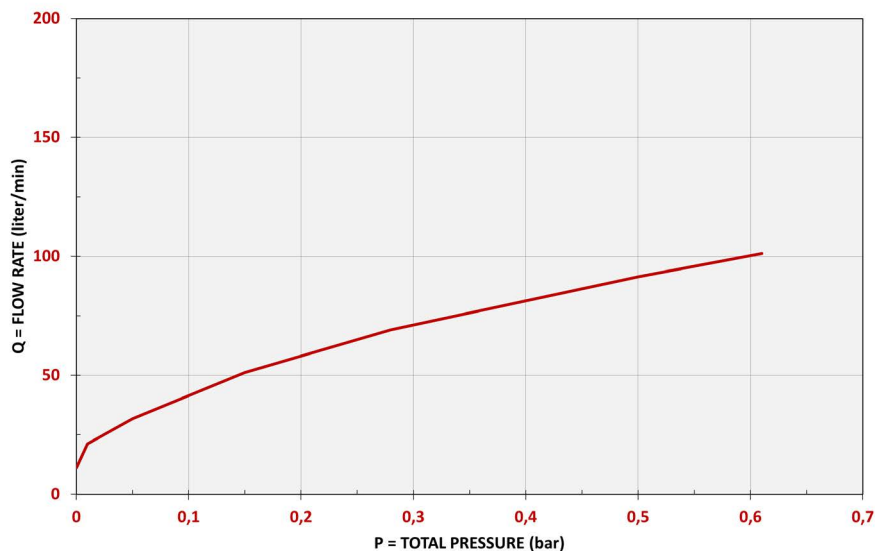
WATER



WINDSCREEN

## CHART

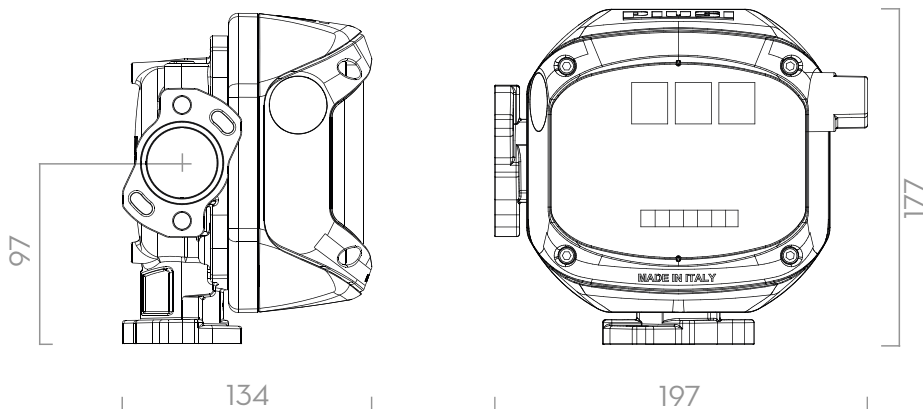
### K90



## DIMENSIONS

TYPE OF FLUID DIESEL

TEMPERATURE 14,8°C



Dimensions expressed in millimeters

## IN THE BOX

- K90 METER
- INSTRUCTION MANUAL

## DETAILS



## MATERIALS

- BODY: ALUMINIUM
- NUTATING DISK CHAMBER: TECHNOPYLIMER

## TECHNICAL DATA

CODE	DESCRIPTION	FLUIDS TYPE	FLOW RATE		PRESSURE		ACCURACY		INLET/OUTLET
			L/MIN	GPM	BAR	PSI	20-90 L/MIN	50-70 L/MIN	
FO09ES000	CONTALITRI K90 - VER. ES	D	20-90 l/min	5-24 GPM	3,5	50	± 0,8%	± 0,6%	Ø 29,5
FO09SE000	CONTALITRI K90 - VER. SE	D	20-90 l/min	5-24 GPM	3,5	50	± 0,8%	± 0,6%	Ø 29,5
FO09SW000	CONTALITRI K90 - VER. SW	D	20-90 l/min	5-24 GPM	3,5	50	± 0,8%	± 0,6%	Ø 29,5
FO09WS000	CONTALITRI K90 - VER. WS	D	20-90 l/min	5-24 GPM	3,5	50	± 0,8%	± 0,6%	Ø 29,5