



FUEL MANAGEMENT SYSTEMS



DISPENSERS



KITS



PUMPS



METERS



NOZZLES

# K600 B/3

## FEATURES

- BETTER VISIBILITY
- ADJUSTABLE FLANGES
- ROTATING DISPLAY
- STANDARD BATTERY
- PULSE-OUT VERSION AVAILABLE
- IP66

The PIUSI K600 B/3 is an oval gear meter suitable for monitoring the delivery of diesel, biodiesel and antifreeze. This special version includes a large 80mm built-in digital display that can be rotated to suit every application. Among its features: 5-digit partial total and resettable total. Pulser version available.

### PERFORMANCE

UP TO <b>10-100 L/MIN</b>	<b>30 BAR</b> MAX
FLOW RATE	OPERATING PRESSURE
<b>± 0,5%</b>	<b>0,2%</b>
ACCURACY	REPEATABILITY



K600 B/3 METER



K600 B/3 WITH PULSE-OUT

### PACKAGING

CODE	WEIGHT		PACKAGING		
	KG	LBS	MM	INCH	PCS/BOX
<b>METER</b>					
FOO491000	2	4,4	200X120X140	7,9X4,7X5,5	1
<b>PULSER</b>					
FOO492000	2	4,4	200X120X140	7,9X4,7X5,5	1



FILTRATION



TANK MONITORING



HOSE REEL



ACCESSORIES



MERCHANDISE

**BIS**  
ANY BIODIESEL

**A**  
AIR

**A**  
ANTIFREEZE

**Ad**  
AdBlue®

**B**  
BIODIESEL

**D**  
DIESEL

**F**  
FOOD

**G**  
GASOLINE

**G**  
GREASE

**K**  
KEROSENE

**O**  
OIL

**W**  
WATER

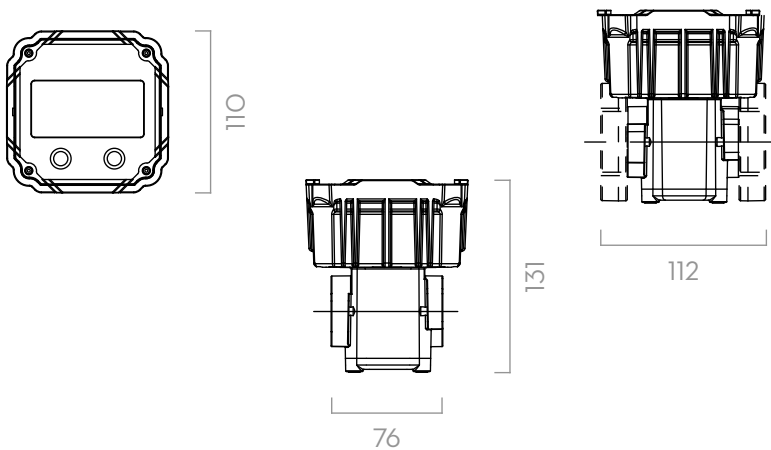
**W**  
WINDSCREEN

### CHART



**TYPE OF FLUID** DIESEL  
**TEMPERATURE** 16°C

### DIMENSIONS



Dimensions expressed in millimeters

### IN THE BOX

- K600 B/3 METER
- FLANGES
- INSTRUCTION MANUAL

### DETAILS



### MATERIALS

- BODY: ALUMINIUM
- GEARS: TECHNOPOLYMER

### TECHNICAL DATA

CODE	DESCRIPTION	FLUIDS TYPE	FLOW RATE		PRESSURE		BATTERY N°2 X 1,5V (INCLUDED)	FLANGE	INLET / OUTLET	INLET FILTER
			L/MIN	GPM	BAR	PSI				
<b>METER</b> FOO491000	K600 B/3	<b>D</b>	10 - 100	2,64 - 26,4	30	426	YES	YES	1" BSP	YES
<b>PULSER</b> FOO492000	K600 B/3 WITH PULSE-OUT	<b>D</b>	10 - 100	2,64 - 26,4	30	426	YES	YES	1" BSP	YES

UPON REQUEST AVAILABLE IN NPTF VERSION AND DISPLAY IN GALLON/QUARTER OR PRINT

# K600 B/3