

GA-1 and GA-2

Grease separator alarm devices for monitoring layer in a grease separator



- Protecting our environment
- Versatile device for basic requirements
- Robust
- Designed to comply EN 1825 and DIN 4040 norms
- Easy to install
- Remote monitoring capability
- Especially suitable for all kind of grease separators

Measure your success

 **Labkotec**
INDUTRADE GROUP



GA-1 and GA-2 grease alarm devices for monitoring grease layer in a grease separator

GA-1 and GA-2 alarm devices are specially designed for grease separators. They indicate when it is time to empty the grease separator and thus prevents harmful grease emissions to the sewer system.

Technical data

GA-1 and GA-2 control units

Dimensions:	125 mm x 75 mm x 35 mm (L x H x D)
Material:	Polycarbonate
Enclosure:	IP65
Operation temperature:	-30 °C...+50 °C
Supply voltage:	230 VAC ± 10 %, 50/60 Hz
	The device is not equipped with a mains switch
Power consumption:	GA-1: 4 VA GA-2: 4 VA
Sensors:	1 or 2 GA-SG1 sensors
Relay outputs:	Potential-free relay output 250 V, 5 A
	Operational delay 10 sec. Relay de-energize at trigger point.
Electrical safety:	IEC/EN 61010-1, Class II <input type="checkbox"/> , CAT II
EMC:	IEC/EN 61000-6-3 (Emission)
	IEC/EN 61000-6-1 (Immunity)

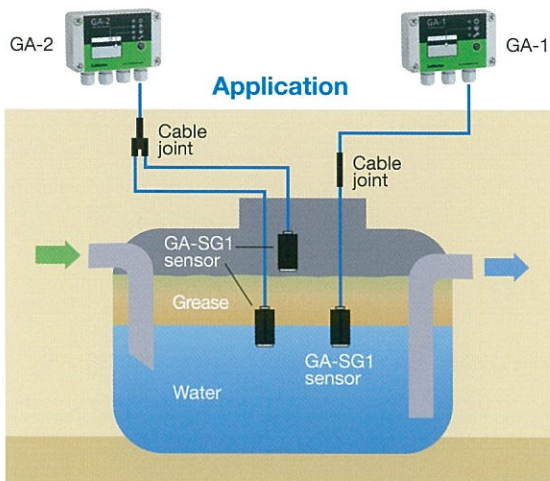
GA-SG1 sensor

Principle of operation:	Measurement of capacitance
Material:	PA, AISI 316
Enclosure:	IP68
Temperature:	Operation 0 °C...+90 °C
Cable:	PUR cable 2 x 0,75 mm ² . Standard length 5 m, other lengths optional. The max. length of the fixed cable is 15 m. Can be extended up to 200 m.
EMC:	IEC/EN 61000-6-3 (Emission)
	IEC/EN 61000-6-1 (Immunity)



GA-1 control unit and GA-SG1 sensor

Cable joints



Alarm device can be easily connected via Labcom data transmission units to remote monitoring system.

More information www.labkonet.com



Measure your success

Labkotec
INDUSTRAL GROUP

www.labkotec.com
www.labkonet.com



Made in Finland

Labkotec Oy
Myllyhaantie 6
FI-33960 Pirkkala
FINLAND
Tel. int. +358 (0)29 006 260
Fax int. +358 (0)29 006 1260
E-mail info@labkotec.fi

Labkotec UK Ltd.
Adminicle House, 1 Lumb Lane
Audenshaw, Manchester M34 5WH
ENGLAND
Tel. int. +44 (0)844 3350 477
Fax int. +44 (0)161 292 7673
E-mail info@labkotec.co.uk

Labkotec AB
Ekbacksvägen 28
SE-168 69 Bromma
SWEDEN
Tel. int. +46 (0)8 130 060
Fax int. +46 (0)8 555 36108
E-mail info@labkotec.se

Labkotec Oy reserves the rights to alterations without prior notice. Due to policy of continuous improvement in R&D, technical specifications may change. Installation shall always be made as documented in manufacturer's instructions.