



CAR FILLING



FUEL MANAGEMENT SYSTEMS



KITS



PUMPS



METERS



METERED NOZZLES

DELPHIN PRO

FEATURES

- FULLY AUTOMATIC
- NO OPERATOR NEEDED
- 100% COMPATIBLE WITH ALL CARS AND VEHICLES**
- STURDY DESIGN
- EASY TO HANDLE
- FLOW RATE REGULATOR

DELPHIN PRO is the most famous PIUSI AdBlue® car filling system: it allows any garage to enter into the automatic car filling of AdBlue® stopping the use of manual tanks. Compact, mobile, reliable and robust, DELPHIN PRO can be used in every working condition. It is fully automatic - it will only take 2 minutes for a full AdBlue® tank - and its patented spout prevents AdBlue® from crystallizing and never requires cleaning or servicing.

PERFORMANCE

2-11 L/MIN

FLOW RATE

AC
VOLTAGE

POWER

2M

HOSE LENGTH



DELPHIN PRO



PACKAGING

CODE	WEIGHT		PACKAGING		
	KG	LBS	MM	INCH	PCS/BOX
FO010020B	37	81,5	770X1080X800	30,3X42X31,5	1
FO010021B	37	81,5	770X1080X800	30,3X42X31,5	1



NOZZLES



FILTRATION



TANK MONITORING



HOSE REEL



ACCESSORIES



MERCHANDISE



AIR



ANTIFREEZE



AdBlue®



BIODIESEL



DIESEL



FOOD



GASOLINE



GREASE



KEROSENE



OIL

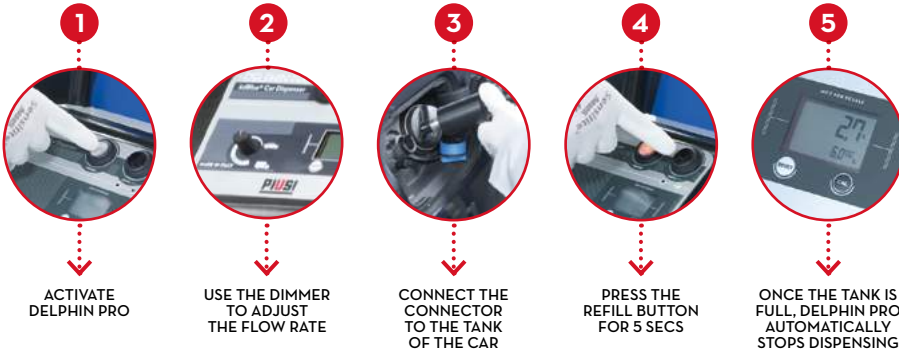


WATER



WINDSCREEN

FUNCTIONING



IN THE BOX

- DELPHIN PRO UNIT
- AF2/SEC CONNECTOR
- INSTRUCTION MANUAL

DETAILS



UNIVERSAL ISO CONNECTOR

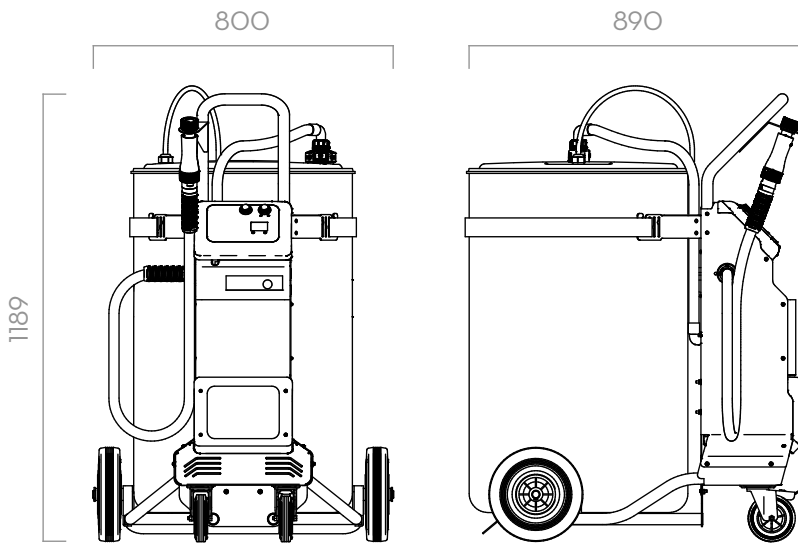


SEC VERSION AVAILABLE



DIGITAL FLOW METER

DIMENSIONS



Dimensions expressed in millimeters

MATERIALS

- PUMP:
- BODY: POLIPROPYLENE
- DIAPHRAGM: POLIPROPYLENE

TECHNICAL DATA

CODE	DESCRIPTION	FLUIDS TYPE	FLOW RATE		VOLTAGE			HOSE		ON/OFF
			L/MIN	GPM	AC V./HZ DC VOLT	POWER WATT	AMP. MAX.	LENGHT	Ø	SWITCH
FO010020B	DELPHIN PRO 120/230V-50/60HZ		2 - 11	0,5 - 2,9	230/50	400	1,95	2 M	3/4"	YES
FO010021B	DELPHIN PRO 120/230V-50/60HZ W/SEC CONN		2 - 11	0,5 - 2,9	230/50	400	1,95	2 M	3/4"	YES

**IN ACCORDANCE TO ISO/FDIS 22241-4:2009

DELPHIN PRO

FILLING SYSTEMS

11