

## Reliable Compact Design

### DC30 PLASTIC PUMPS

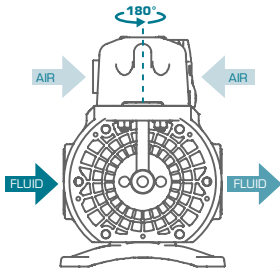
Air operated double diaphragm pumps for dosing and transferring a wide variety of fluids.

For OEM applications and industrial processes with lower flow rates. Unbalanced spool valve air motor requires lower start-up pressure for finer flow adjustment using regulating air pressure.

Pump wetted materials are compatible with the most aggressive fluids and are suitable for use in corrosive environments. Air motor (directional air valve and air chamber covers) is made of polypropylene.

Fully groundable ATEX certified pumps are available for use in potentially explosive atmospheres (Ex II2 GD IIB/IIC 95 °C).

**1/2"**  
**38 l/min**  
10 US gal/min



Orientable air inlet, increased installation flexibility.



**Ex** ATEX certified versions available  
Ex II2 GD IIB/IIC 95 °C

### RECOMMENDED MODELS

MODEL	PUMP BODY	DIAPHRAGMS	BALLS	SEATS	OTHER WETTED MATERIALS	RECOMMENDED APPLICATIONS
DC30PPSESTMBAS	Polypropylene	Santoprene®	PTFE	Stainless Steel	EPDM	Water based fluids and adhesives, diluted alkalis and acids, alcohols and water based coatings.
DC30PPSTSTTBAS	Polypropylene	PTFE	PTFE	Stainless Steel	Stainless Steel	Wide chemical compatibility. Good with acids and alkalis.
DC30PPYTWTTBAS	Polypropylene	PTFE	PTFE	PVDF	Hastelloy® C	CIPs chlorinated cleaning agents and home & industrial cleaning agents. Acids and alkalis.
DC30PDSTSTTBAS	Conductive Acetal	PTFE	PTFE	Stainless Steel	Stainless Steel	ATEX pump. Solvents (most ketones, acetates, aldehydes, aromatic and chlorinated hydrocarbons), solvent and water based flexo and gravure inks, varnishes and paint.

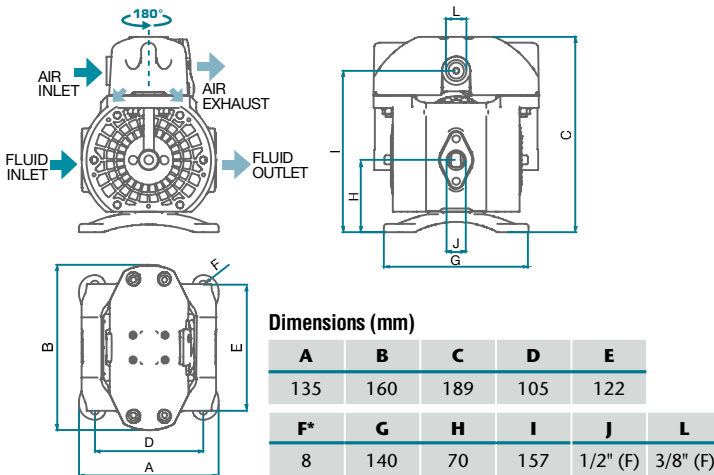


## DC30 PLASTIC PUMPS

### TECHNICAL DATA

Pressure ratio	1:1
Maximum free delivery (1)	38 l/min (10 US gal/min)
Delivery per stroke approx. (1)	0,07 litres (0.02 US gal)
Delivery per cycle (2 x strokes) (1)	0,14 litres (0.04 US gal)
Air pressure operating range	1,5 to 7 bar (22 to 100 psi)
Solids in suspension max. size	3 mm (1/8" )
Maximum dry suction lift (1)	4 m (13')
Maximum wet suction lift (1)	8 m (26')
Weight	1,9 kg (4.19 lb)
Fluid inlet connection	1/2" BSP/NPT (F)
Fluid outlet connection	1/2" BSP/NPT (F)
Air inlet connection	3/8" NPSM (F)
Wetted part materials	See recommended models

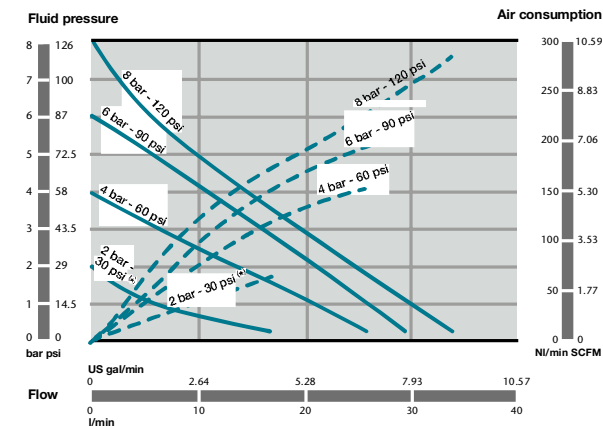
(1) Data measured with water, air inlet pressure 7 bar (100 psi), 20 °C (68 °F).



\* Diameter of the holes for fasteners in each of the four pump feet.

## PERFORMANCE CURVES

Tested at room temperature, with water and flooded pump with 800 mm (31 1/2" ) height of water above the pump inlet.



(\*) 2 bar test with a PTFE (Teflon®) diaphragms pump.

## DC30 PLASTIC PUMP CODING SYSTEM

1	2	3	4	5	6	7	8	9	10
DC30	P	P	S	E	S	T	M	B	AS

### 1 PUMP SIZE

DC30

### 2 AIR MOTOR: DIRECTIONAL VALVE & AIR CHAMBER COVERS

P = Polypropylene

### 3 WETTED PUMP BODY

P = Polypropylene

D = Conductive Acetal (ATEX pump)

### 4 PUSH ROD

S = Stainless Steel AISI 420

Y = Hastelloy® C

### 5 SEALS

E = EPDM

T = PTFE (Teflon®)

### 6 CHECK VALVE SEATS

S = Stainless Steel AISI 316

W = PVDF

### 7 CHECK VALVE BALLS

T = PTFE (Teflon®)

C = Acetal

### 8 DIAPHRAGMS

T = PTFE (Teflon®)

M = Santoprene®

### 9 FLUID CONNECTION THREADS

B = BSP

N = NPT

### 10 OPTIONS

AS = Standard pump

BS = Remote air exhaust

FS = Extra muffler

US = Special UV Ink pump

