

# Data sheet

# Junction box

## Junction boxes LJB2-78-83 and LJB3-78-83 for use in potentially explosive atmospheres

The junction box types LJB2-78-83 and LJB3-78-83 are designed for connecting Exi-sensors to the fixed intrinsically safe circuit. The junction boxes are equipped with 4 x 2,5 mm<sup>2</sup> mantle terminals and 6 mm<sup>2</sup> earthing facilities. The enclosure of the junction box is of aluminum. The boxes shall be grounded or connected to equipotential bonding.



### LJB2-78-83

Two cable entries  
with metal cable glands  
for IIC apparatus.

### LJB3-78-83

Three cable entries  
with metal cable glands  
for IIC apparatus.



## Electrical data

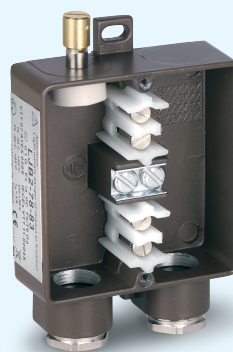
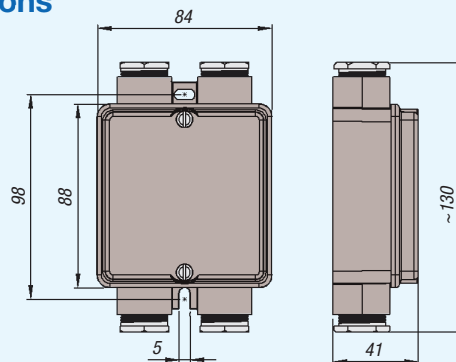
The maximum voltage of the box is  $U_m = 90 \text{ V}$  and the nominal current is  $I_N = 3 \text{ A}$

- Special conditions for safe use**
1. The allowed ambient temperature range is  
-40 °C...+60 °C for temperature class T6 and  
-40 °C...+85 °C for temperature class T5.
  2. There is ignition hazard if the enclosure is subjected to the impact or friction.
  3. The explosion group for junction box type LJB2 or LJB3 is IIC.

**Enclosure** IP 67

**Connectors** Screw terminals

## Dimensions



⚠ Attention:  
Light metals danger of impact or friction!  
**LJB2-78-83**  
II 1 G Ex ia IIC T5/T6 Ga  
VTT 07 ATEX 056X IECEx VTT 11.0004X  
T6 -40 °C...+60 °C  $U_m = 90 \text{ V}$   
T5 -40 °C...+85 °C  $I_N = 3 \text{ A}$   
Labkotec Oy Finland CE 0537

⚠ Attention:  
Light metals danger of impact or friction!  
**LJB3-78-83**  
II 1 G Ex ia IIC T5/T6 Ga  
VTT 07 ATEX 056X IECEx VTT 11.0004X  
T6 -40 °C...+60 °C  $U_m = 90 \text{ V}$   
T5 -40 °C...+85 °C  $I_N = 3 \text{ A}$   
Labkotec Oy Finland CE 0537



Measure your success

**Labkotec**  
INDUTRADE GROUP

**Labkotec Oy**  
Myllyhaantie 6  
FI-33960 Pirkkala, FINLAND  
Tel. int. +358 (0)29 006 260  
Fax int. +358 (0)29 006 1260  
E-mail info@labkotec.fi

**Labkotec AB**  
Ekbacksvägen 28  
SE-168 69 Bromma, SWEDEN  
Tel. int. +46 (0)8 130 060  
Fax int. +46 (0)8 555 36108  
E-mail info@labkotec.se

**Labkotec GmbH**  
Technologiezentrum  
Lise-Meitner-Strasse 2  
24941 Flensburg, GERMANY  
Tel. int. +49 (0)461 9992 410  
Fax int. +49 (0)461 4807 335  
E-mail info@labkotec.de

