

# Data sheet

## GA-1

### GA-1

#### Alarm device for a grease interceptor

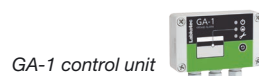
GA-1 is an alarm device for monitoring the thickness of the grease layer accumulating in a grease interceptor. The system consists of a GA-1 control unit, GA-SG1 sensor and a cable joint.



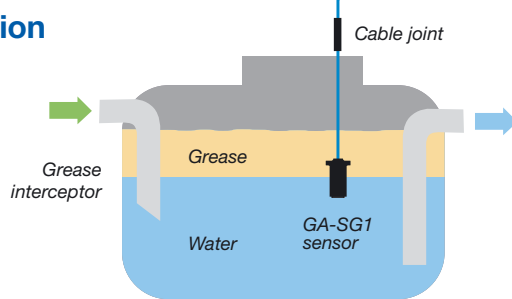
GA-1 control unit and GA-SG1 sensor



Cable joint

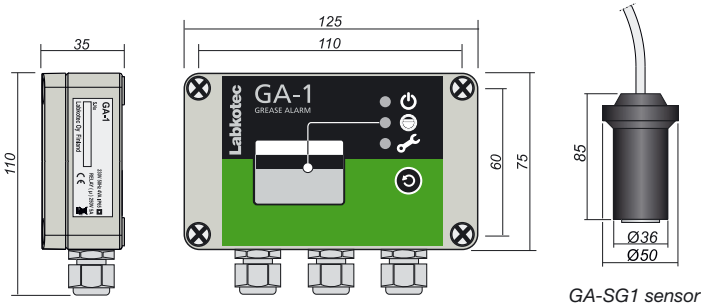


GA-1 control unit



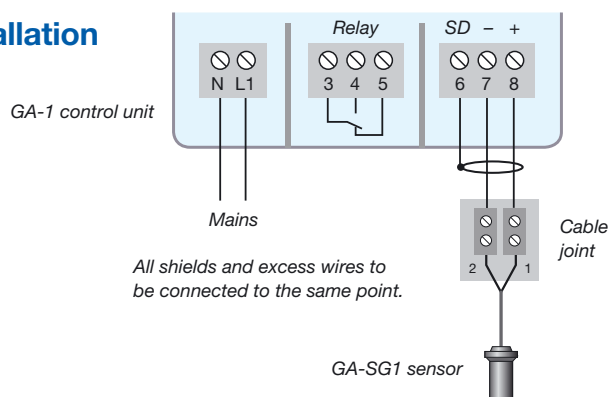
#### Application

#### Dimensions



GA-SG1 sensor

#### Installation



#### GA-1 Control unit

Dimensions	125 mm x 75 mm x 35 mm (L x H x D)
Weight	250 g
Package	0,8 kg (control unit + sensor + cable joint)
Enclosure	IP 65, material polycarbonate Cable glands adjustment range 6-10 mm
Operation temperature	-30 °C...+50 °C
Supply voltage	230 VAC ± 10 %, 50/60 Hz The device is not equipped with a mains switch
Power consumption	5 VA
Sensors	GA-SG1 sensor
Relay output	Potential-free relay output 250 V, 5 A Operational delay 10 sec. Relay de-energize at trigger point.
Electrical safety	IEC/EN 61010-1, Class II  , CAT II
EMC Emission Immunity	IEC/EN 61000-6-3 IEC/EN 61000-6-1
Manufacturing year	xxx x xxxxx xx YY x where YY = manufacturing year Please see the serial number on the type plate
	(e.g. 16 = 2016)

#### GA-SG1 Sensor

Principle of operation	Capacitive
Material	POM, PUR, AISI 316
Weight	350 g (sensor + fixed cable)
IP-classification	IP68
Operation temperature	0 °C...+90 °C
Cable	Fixed cable 2 x 0.75 mm <sup>2</sup> . Standard length 5 m, other lengths optional. The max. length of the fixed cable is 15 m, can be extended. Maximum cable loop resistance is 75 Ω.
EMC Emission Immunity	IEC/EN 61000-6-3 IEC/EN 61000-6-1
Manufacturing year	GAxxxxYY
Please see the serial number from the bottom of sensor	where YY = manufacturing year (e.g. 16 = 2016)

Labkotec Oy reserves the rights to alterations without prior notice.

Measure your success

**Labkotec**  
INDUTRADE GROUP

Labkotec Oy  
Myllyhaantie 6  
FI-33960 Pirkkala  
FINLAND

Tel. int. +358 (0)29 006 260  
Fax int. +358 (0)29 006 1260  
E-mail info@labkotec.fi

