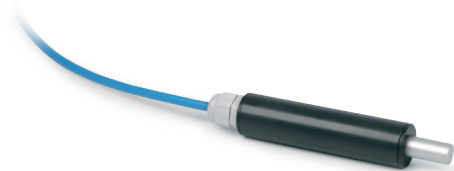


# Data sheet

# idOil sensors

## idOil® sensors

idOil sensors are an integral part of the idOil oil separator alarm system and they are to be used with the idOil control units. All idOil sensors are digital and polarity free.



### idOil-LIQ high liquid level sensor

Indicates when the liquid level in the oil separator rises excessively e.g. in an outlet blockage situation.



### idOil-OIL oil sensor

Detects oil and indicates when the separator's oil storage is full.



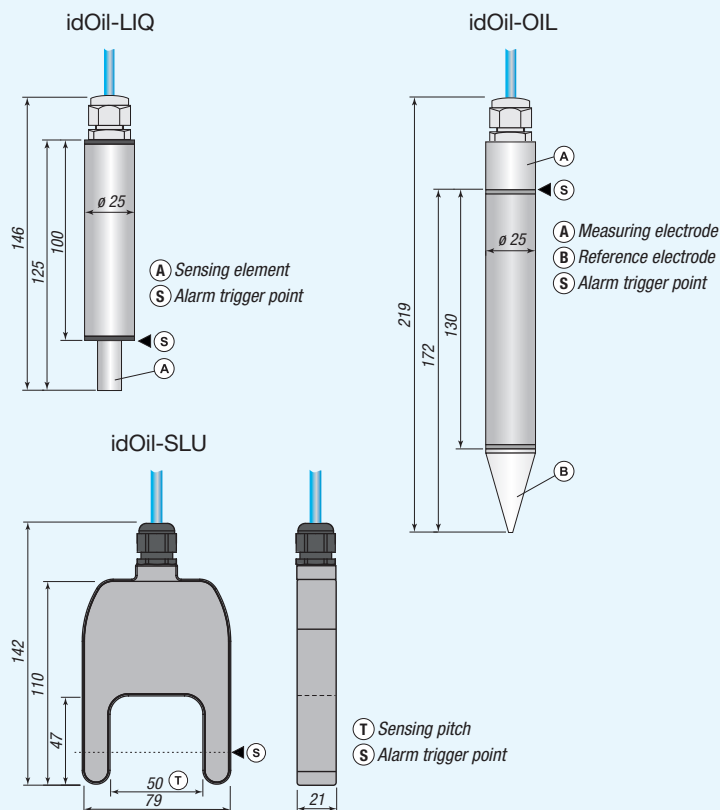
### idOil-SLU sludge sensor

Monitors the sludge layer in the oil separator and indicates when the sludge layer has reached its maximum level.

## Technical data

|                               | idOil-LIQ   | idOil-OIL   | idOil-SLU   |
|-------------------------------|---|---|---|
| <b>Measurement principle</b>  | Vibration   | Conductive  | Ultrasonic  |
| <b>Mounting</b>               | Suspension  |   |   |
| <b>Wetted parts</b>           | PVC, aluminium, PA, CR, Viton                                       | PVC, AISI 316, PA, CR, NBR  | PP, AISI 316, PA, CR, Silicon                                       |
| <b>Weight incl. 5 m cable</b> | 240 g   | 395 g   | 530 g   |
| <b>IP classification</b>      | IP68  |   |   |
| <b>Ambient temperature</b>    | -30 °C...+60 °C   |   | -25 °C...+60 °C   |
| <b>Supply voltage</b>         | 12 V DC   |   |   |
| <b>Fixed cable</b>            | Lenght 5 m, 2 x 0.75 mm <sup>2</sup> PUR unshielded                 |   |   |
| <b>EMC</b>                    | IEC/EN 61000-6-2 Emission<br>IEC/EN 61000-6-3 Immunity              |   |   |
| <b>ATEX</b>                   | VTT 17 ATEX 005X  | VTT 17 ATEX 004X  | VTT 17 ATEX 006X  |
| <b>IECEX</b>                  | IECEX VTT 17.0003X  | IECEX VTT 17.0002X  | IECEX VTT 17.0004X  |
| <b>Ex-classification</b>      | Ex II 1 G Ex ia IIB T5 Ga   | Ex II 1 G Ex ia IIA T5 Ga   | Ex II 1 G Ex ia IIB T5 Ga   |
| <b>Exi interface values</b>   | U <sub>i</sub> =16 V, I <sub>i</sub> =80 mA, P <sub>i</sub> =400 mW | U <sub>i</sub> =16 V, I <sub>i</sub> =80 mA, P <sub>i</sub> =400 mW | U <sub>i</sub> =16 V, I <sub>i</sub> =80 mA, P <sub>i</sub> =400 mW |
| <b>Max values in IIB</b>      | C <sub>i</sub> ≤ 5.2 nF, L <sub>i</sub> ≤ 1.6 mH                    | C <sub>i</sub> ≤ 5.2 nF, L <sub>i</sub> ≤ 1.6 mH                    | C <sub>i</sub> ≤ 4.0 nF, L <sub>i</sub> ≤ 1.6 mH                    |

## Dimensions (mm)



Labkotec Oy reserves the rights to alterations without prior notice.

Measure your success

**Labkotec**  
INDUSTRAL GROUP

**Labkotec Oy**  
Myllyhaantie 6  
FI-33960 Pirkkala, FINLAND  
Tel. int. +358 (0)29 006 260  
Fax int. +358 (0)29 006 1260  
E-mail info@labkotec.fi

**Labkotec AB**  
Ekbacksvägen 28  
SE-168 69 Bromma, SWEDEN  
Tel. int. +46 (0)8 130 060  
Fax int. +46 (0)8 555 36108  
E-mail info@labkotec.se

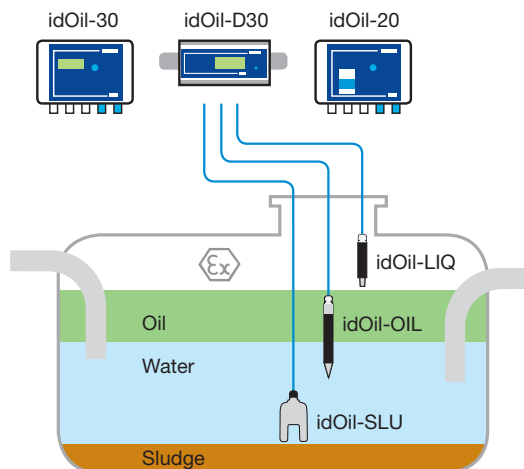
**Labkotec GmbH**  
Technologiezentrum  
Lise-Meitner-Strasse 2  
DE-24941 Flensburg, GERMANY  
Tel. int. +49 (0)461 9992 410  
Fax int. +49 (0)461 4807 335  
E-mail info@labkotec.de



# Data sheet

# idOil sensors

## Application



## Cable connectors

Cable connectors are used for cable extension between the sensors and the control unit. They are oil resistant, IP68 and suitable for ATEX Zone 0. Simple apparatus according to IEC/EN 60079-11.



### LCJ1-1

Cable connector for one sensor.



### LCJ1-2

Cable connector for two sensors.



### LCJ1-3

Cable connector for three sensors.

## Sensor cable extension with installation

### Sensor cable extension with Labkotec cable connector

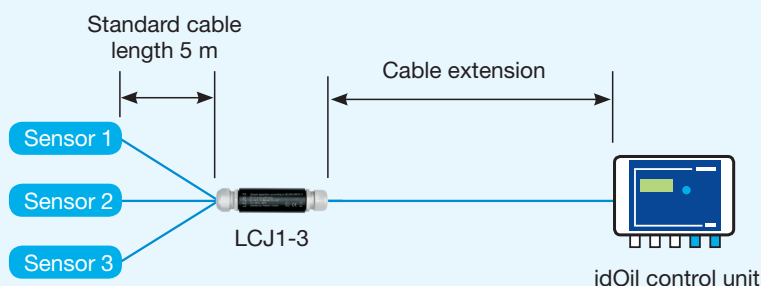
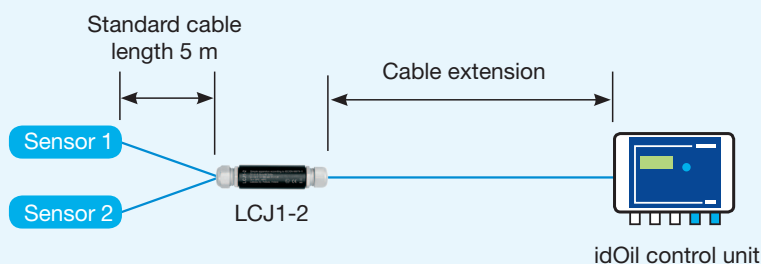
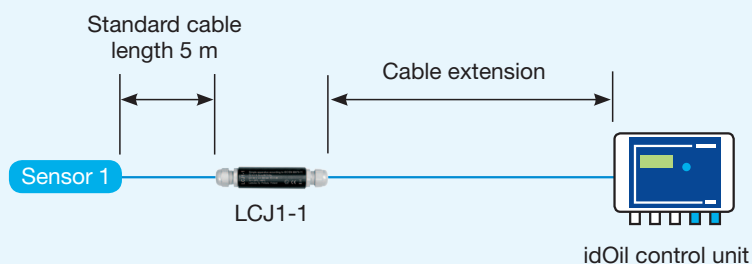
LCJ1-1 for one sensor  
LCJ1-2 for two sensors  
LCJ1-3 for three sensors

### Extension cable example

Twisted pair cable, 2 x 0.75 mm<sup>2</sup>

### Extension cable diameter

LCJ1-1:  $\varnothing$  4 mm...9 mm  
LCJ1-2 and LCJ1-3:  $\varnothing$  5 mm...10 mm  
Max. extension cable resistance 68 Ohms.



Measure your success

**Labkotec**  
INDUTRADE GROUP

**Labkotec Oy**  
Myllyhaantie 6  
FI-33960 Pirkkala, FINLAND  
Tel. int. +358 (0)29 006 260  
Fax int. +358 (0)29 006 1260  
E-mail info@labkotec.fi

**Labkotec AB**  
Ekbacksvägen 28  
SE-168 69 Bromma, SWEDEN  
Tel. int. +46 (0)8 130 060  
Fax int. +46 (0)8 555 36108  
E-mail info@labkotec.se

**Labkotec GmbH**  
Technologiezentrum  
Lise-Meitner-Strasse 2  
DE-24941 Flensburg, GERMANY  
Tel. int. +49 (0)461 9992 410  
Fax int. +49 (0)461 4807 335  
E-mail info@labkotec.de

