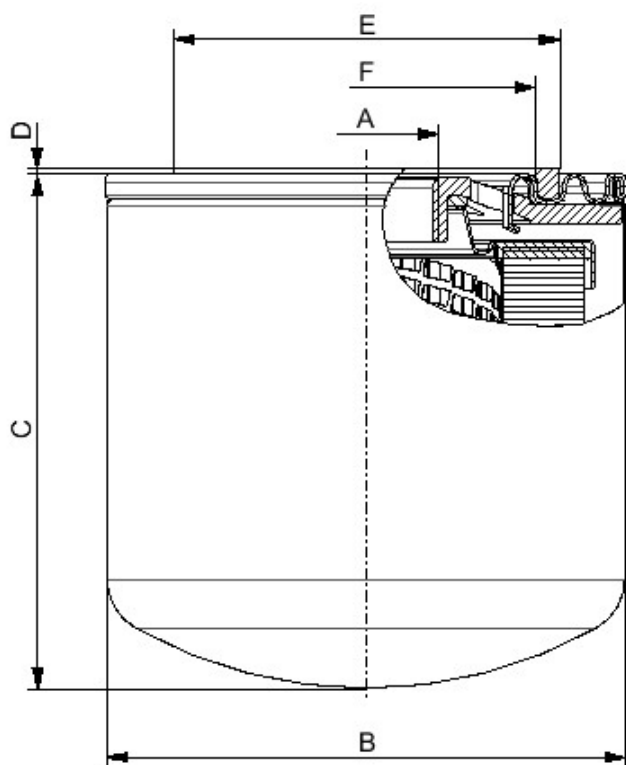


## General data

Media	<b>Inorganic microfibers</b>
Filtration rating	<b>5 <math>\mu\text{m(c)}</math> <math>\beta &gt; 75</math> ISO 16889</b>
Flow direction	<b>Out-In</b>
By-pass	
Flow rate	<b>65 l/min</b>
Working pressure	<b>12 bar [174 psi]</b>
Filter element collapse pressure	<b>10 bar [145 psi]</b>
Burst pressure	<b>21 bar [305 psi]</b>
Anti drain back valve	-
Gasket	<b>NBR</b>



## Technical data

A	<b>1"-12 UNF</b>
B	<b>95,5 mm [3,76 inch]</b>
C	<b>210 mm [8,27 inch]</b>
D	<b>1 mm [0,04 inch]</b>
E	<b>71 mm [2,8 inch]</b>
F	<b>62 mm [2,44 inch]</b>