



DISPENSERS



PUMPS



METERS



NOZZLE



FILTRATION

FLUID  
MONITORING

# CLEAR CAPTOR

## FEATURES

- REPLACEABLE CARTRIDGE
- HIGH EFFICIENCY
- SMALL SIZE

The PIUSI CLEAR CAPTOR is a range of cartridge filters that can be applied both on suction or delivery flow directions. They are equipped with a high-performance cartridge and a plastic container to collect all eventual impurities or water particles that may be present in the fluid. Thanks to the valve at the bottom of the container, it is possible to remove contaminations quickly and safely to ensure the maximum possible filter life.

## PERFORMANCE

UP TO

**150 L/MIN**

FLOW-RATE

**5 BAR**MAX OPERATING  
PRESSURE**2β/5μ**

FILTERING CAPACITY



**CLEAR CAPTOR WATER FILTER  
WITH WATER ABSORPTION**



## PACKAGING

CODE	WEIGHT	PACKAGING		
	KG	DIMENSIONS MM	CARTRIDGE PSC / BOX	FILTER HEAD PCS/BOX

### CLEAR CAPTOR

FOO611B00	2,3	390X285X140	2	1
FOO611B10	2,0	390X285X140	2	1
FOO611B60	2,3	390X285X140	1	1
FOO611O30	1,9	190X190X240	6	-
FOO611O40	1,2	190X190X240	6	-
FOO611O60	0,2	190X190X240	1	1
F15744000	1,0	200X120X240	-	1



HOSE REELS



ACCESSORIES



MERCHANDISE



AIR



ANTIFREEZE



AdBlue®



BIODIESEL



DIESEL



FOOD



GASOLINE



GREASE



KEROSENE



OIL



WATER



WINDSCREEN

**PRODUCTS**CLEAR CAPTOR WATER FILTER  
WITH WATER ABSORPTION

CLEAR CAPTOR FILTER



CLEAR CAPTOR STRAINER

**IN THE BOX**

- FILTER CARTRIDGE
- METALLIC HEAD
- ADDITIONAL CARTRIDGE
- INSTRUCTION MANUAL

**DETAILS**

STRAINER CARTRIDGE



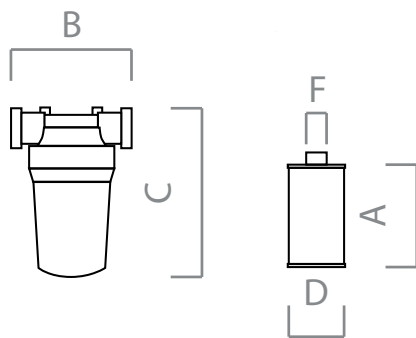
IMPURITIES PAPER CARTRIDGE



WATER PAPER CARTRIDGE



DRAIN VALVE

**DIMENSIONS**

CODE	A (mm)	B (mm)	C (mm)	D (mm)	F
FOO611B00	-	171	270	-	-
FOO611B10	-	171	270	-	-
FOO611B60	-	171	270	-	-
FOO611O30	110	-	-	75	1" BSP M
FOO611O40	155	-	-	75	1" BSP M
FOO611O60	110	-	-	75	1" BSP M
F15744000	-	171	-	-	1" BSP F

Dimensions expressed in millimeters

**MATERIALS**

- FILTER: ABSORBENT FILTERING PAPER

**TECHNICAL DATA**

CODE	DESCRIPTION	FLUIDS TYPE	FLOW-RATE		INLET / OUTLET BSP	WATER ABSORBING	EFFICIENCY β	MICRO μ m	PRESSURE BAR
			L/MIN	GPM					

**CLEAR CAPTOR**

FOO611B00	CLEAR CAPTOR FILTER	B D G	100	26,4	1"	NO	2	5	5
FOO611B10	CLEAR CAPTOR WATER FILTER	B D G	70	18,5	1"	YES	200	30	5
FOO611B60	CLEAR CAPTOR STRAINER	B D G	100	26,4	1"	NO	2	125	5
FOO611O30	CLEAR CAPTOR CARTRIDGE	B D G	100	26,4	-	NO	2	5	-
FOO611O40	CLEAR CAPTOR WATER FILTER CARTRIDGE	B D G	70	18,5	-	YES	200	30	-
FOO611O60	CLEAR CAPTOR STRAINER CARTRIDGE	B D G	100	26,4	-	NO	2	125	-
F15744000	FILTER HEAD CLEAR CAPTOR	B D G	-	-	1"	NO	-	-	-

**CLEAR CAPTOR**