

RM-100 HEAVY DUTY LARGE CAPACITY HOSE REELS



15, 20, 25 AND 30 METERS MAXIMUM HOSE CAPACITY

508 225

FLUIDS HANDLED

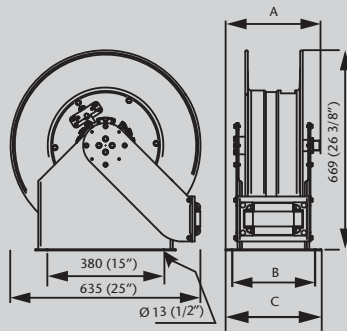
- Air.
- Water.
- Antifreeze solutions.
- Synthetic and mineral oils.
- Waste Oil Evacuation.
- Diesel.

MARKETS / APPLICATIONS

- Fleets.
- Lube trucks.
- Mining and construction.
- Railroad and mass transit.
- General manufacturing.

MOUNTING

- Floor.
- Tank.



Dimensions mm (inches)

DIMENSIONS mm (inches)		
PART No.	508 925	508 942 508 944
A	315 (12 3/8")	349 (13 3/4")
B	290 (11 3/8")	320 (12 5/16")
C	320 (12 5/16")	353 (13 15/16")

Full metal, Intensive Duty, double pedestal hose reels, with hose capacity up to 15 m x 1", 20 m or 25 m x 3/4" hose and 30 m x 1/2" hose.



04

HOSE REELS

- Very tough construction large capacity reels, able to stand regular use and abuse in Intensive Duty applications.
- Fatigue resistant steel spring for years of durable performance and even load when pulling and recoiling the hose.
- Full port shaft and swivel for no restrictions.
- Spool mounted on two permanent lubricated and sealed ball bearings to reduce torque load on spring for smooth retraction and longer life.
- Large effective radial latching area for easier operation.
- Hose guide arm can be placed in different positions to accommodate any method of mounting.
- Narrow footprint allows accommodating more reels on the same surface.
- Reels with longer hose capacity include a dual spring for effective hose retraction.
- Hose reels with hose include 0,8 m inlet hose.

PART No.	BARE REEL	HOSE IN Ø	HOSE LENGTH	CONNECTING HOSE INLET	DELIVERY HOSE OUTLET	PRESSURE RATING	WEIGHT (With hose)
AIR / WATER / ANTIFREEZE SOLUTIONS / DIESEL / LUBRICANTS / WASTE OIL EVACUATION							
508 225	508 925	1"	15 m	1" BSP (M)	1" BSP (M)	90 bar	56 kg
508 234	508 944	3/4"	20 m	3/4" BSP (M)	3/4" BSP (M)	90 bar	55 kg
508 244	508 944	3/4"	25 m	3/4" BSP (M)	3/4" BSP (M)	90 bar	57 kg
508 252	508 942	1/2"	30 m	1" BSP (M)	1/2" BSP (M)	90 bar	55 kg