



## USED FLUID COLLECTION UNITS

**M**obile units designed for the collection of used fluids like motor oil, gear oil, antifreeze and coolant fluids as well as other non-aggressive A-III class automotive fluids.

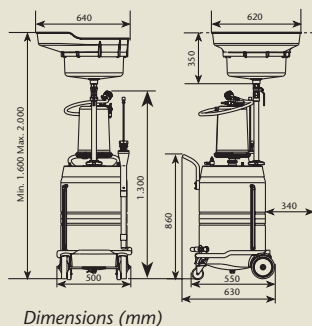
Models for gravity collection are fitted with a telescopic bowl and they can be used under vehicle hoists or inside lubrication pits for collection of the used fluid.

Models fitted with a pneumatic vacuum pump can be used for extracting waste oil through the vehicle motor oil dipstick tube using an adequate adaptor or suction cane. The pneumatic suction pump has no moving, no wear parts, and can achieve up to 80% vacuum. Suction units include a complete set of suction canes and adaptors.

Once full, the reservoir can be discharged either using a remote pump through a hydraulic type connector fitted to the bottom of the unit, with a piston pump attached to the unit or pressurizing the unit reservoir at 0,5 bar (3.5 psi) maximum with a tire inflator.

**100**  
LITRES

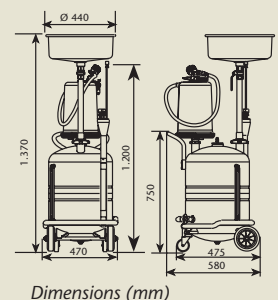
### COMMON FEATURES



- 100 litres (26 gallons) capacity steel reservoir, with side level gauge.
- Tray for tools, washers, plugs, etc. on top of the reservoir.
- One piece molded spoiler for securing the discharge hose in pressure discharge models.
- Two reinforced casters and two reinforced fixed wheels.
- Steel tank with epoxy powder coating.
- Models for gravity collection include a telescopic collection bowl, with an oversized 360° positionable composite extension for wider reach, and an anti splash grid that can hold used filters for draining.

**70**  
LITRES

### COMMON FEATURES



- 70 litres (17 gallons) capacity steel reservoir, with side level gauge.
- Two reinforced casters and two reinforced fixed wheels
- Steel tank with epoxy powder coating.