

15 METERS MAXIMUM HOSE CAPACITY

502 252

### FLUIDS HANDLED

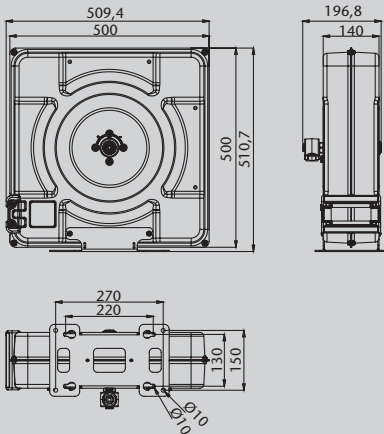
- Air.
- Water.
- Antifreeze and Windshield Wash Solutions.
- Synthetic and Mineral Oils.
- Grease.

### MARKETS / APPLICATIONS

- Car and truck dealers
- Service shops
- Fleets
- General manufacturing
- Service stations
- Lube trucks
- Quick lubes.

### MOUNTING

- Floor.
- Wall.
- Ceiling.
- Tank.



Dimensions mm (inches)

Aluminium enclosure with composite spool hose reels, can handle up to 15 m x 1/2" hose.



04

HOSE REELS

- Totally enclosed reel in steel plate finished in polyester resin.
- Positionable mounting bracket in steel plate with 2 drill patterns: 220 x 130 mm and 270 x 150 mm.
- Ratchet system in polymer to reduce noise.
- Large service panel allows hose reel maintenance without dismantling it.
- Wide hose outlet aids rolling, reduces piling up and premature wear of the hose.
- Fatigue resistant steel spring for years of durable performance and even load when pulling and recoiling the hose.
- Spool mounted on two permanent lubricated and sealed ball bearings to reduce torque load on spring for smooth retraction and longer life..
- Hose reels with hose include 0,8 m inlet hose.

PART No.	BARE REEL	HOSE IN Ø	HOSE LENGTH	CONNECTING HOSE INLET	DELIVERY HOSE OUTLET	PRESSURE RATING	WEIGHT (WITH HOSE)
<b>AIR / WATER</b>							
502 151	502 159	3/8"	10 m	3/8" BSP (M)	3/8" BSP (M)	15 bar	18,7 Kg
502 156	502 159	3/8"	15 m	3/8" BSP (M)	3/8" BSP (M)	15 bar	19,7 Kg
502 157	502 159	1/2"	15 m	1/2" BSP (M)	1/2" BSP (M)	15 bar	20,6 Kg
<b>OIL</b>							
502 252	502 259	1/2"	10 m	1/2" BSP (M)	1/2" BSP (M)	20 bar	20,9 Kg
502 257	502 259	1/2"	15 m	1/2" BSP (M)	1/2" BSP (M)	20 bar	23 Kg
<b>GRAISSE AND HYDRAULIC FLUIDS</b>							
502 350	502 359	1/4"	10 m	1/4" BSP(M)	1/4" BSP(M)	160 bar	20,4 Kg
502 351	502 359	3/8"	10 m	3/8" BSP(M)	1/4" BSP(M)	160 bar	21,9 Kg
502 356	502 359	3/8"	15 m	3/8" BSP(M)	1/4" BSP(M)	160 bar	24,45 Kg



Reel with arms in ceiling mounting position.