



CAR FILLING



FUEL MANAGEMENT SYSTEMS



KITS



PUMPS



METERS



METERED NOZZLES

SUZZARABLU PRO/BASIC

FEATURES

- THE EASIEST SOLUTION FOR IBC
- MANUAL/AUTOMATIC NOZZLE
- SUZZARABLU DIAPHRAGM
- EASY TO INSTALL

The PIUSI SUZZARABLU PRO/BASIC is the first AdBlue® IBC dispenser introduced in the market since 2006. Its sturdy design and practicality makes this product the most common AdBlue® dispenser around the world.

PERFORMANCE

UP TO
35 L/MIN

FLOW RATE

AC/DC
VOLTAGE

POWER

±1%

ACCURACY

20MIN

DUTY CYCLE



SUZZARABLU PRO/BASIC



PACKAGING

CODE	WEIGHT		PACKAGING		
	KG	LBS	MM	INCH	PCS/BOX
FOO201B1B	16	35,3	470X370X265	18,3X14,6X10,4	1
FOO201C9B	16	35,3	470X370X265	18,3X14,6X10,4	1
FOO201BAC	16	35,3	470X370X265	18,3X14,6X10,4	1
FOO201A8B	12,6	27,8	470X370X265	18,3X14,6X10,4	1
FOO201B2B	16	35,3	470X370X265	18,3X14,6X10,4	1
FOO201E8B	16	35,3	470X370X265	18,3X14,6X10,4	1
FOO201A9B	12,6	27,8	470X370X265	18,3X14,6X10,4	1



NOZZLES



FILTRATION



TANK MONITORING



HOSE REEL



ACCESSORIES



MERCHANDISE

INDEX



AIR



ANTIFREEZE



AdBlue®



BIODIESEL



DIESEL



FOOD



GASOLINE



GREASE



KEROSENE



OIL

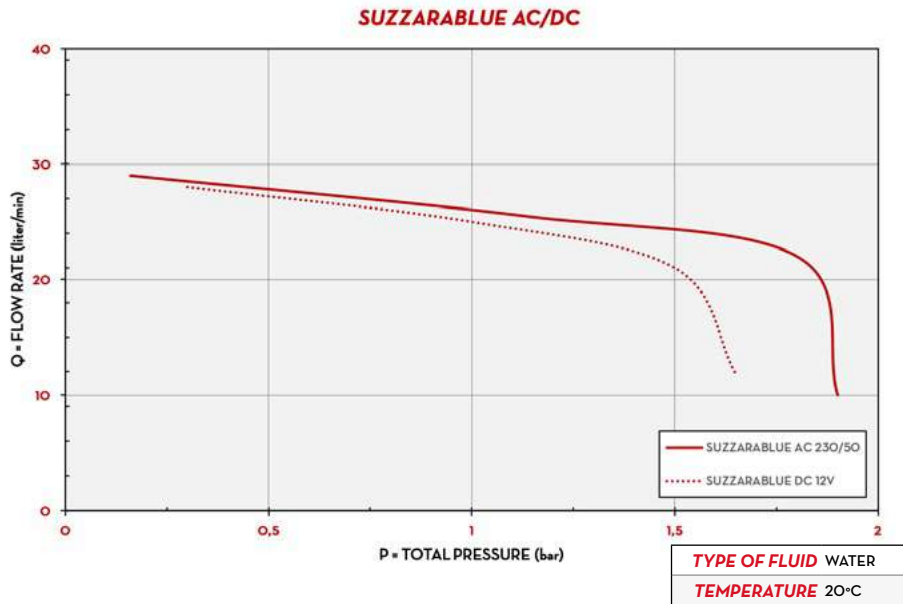


WATER

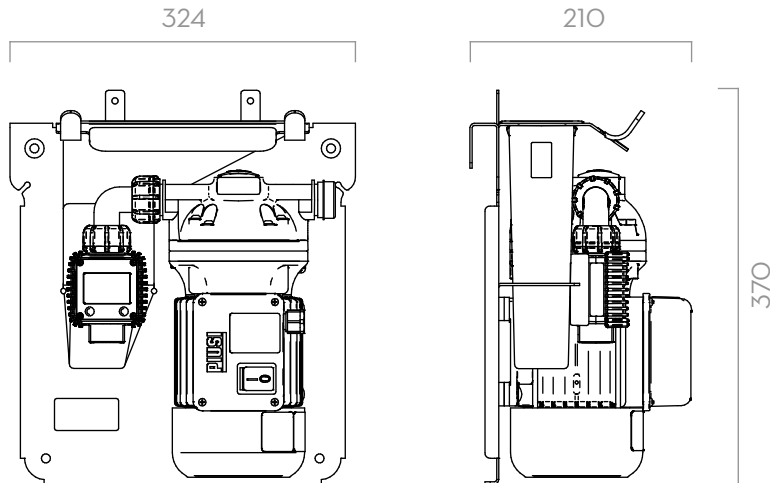


WINDSCREEN

CHART



DIMENSIONS



Dimensions expressed in millimeters

IN THE BOX

- SUZZARABLU AC/DC UNIT
- MANUAL NOZZLE / AUTO NOZZLE (PRO VERSION)
- FLOW METER (ON REQUEST)
- SUCTION / DELIVERY HOSE
- SEC / KIT BOTTOM CONNECTION
- INSTRUCTION MANUAL

DETAILS



DC VERSION AVAILABLE



KIT BOTTOM AVAILABLE



K24 METER



CART KIT AVAILABLE (PAG.64)

COMPONENTS

- **PUMPS:**
SUZZARABLU PUMP AC PAG. 68
SUZZARABLU PUMP DC PAG. 70
- **METER:**
K24 METER PAG. 92
- **NOZZLE:**
SB325_X METER PAG. 104
SB325_X PAG. 114
SUZZARABLU A60 PAG. 116
SUZZARABLU MANUAL NOZZLE PAG. 118

TECHNICAL DATA

CODE	DESCRIPTION	FLUIDS TYPE	FLOW RATE		VOLTAGE			METER MOD.	NOZZLE TYPE	SUCTION	HOSE LENGHT Ø 3/4"	ON/OFF SWITCH
			L/MIN	GPM	AC V./HZ DC VOLT	POWER WATT	AMP. MAX.					
FOO201B1B	SUZZARABLU PRO 230V/50HZ K24 W/SEC	(Ad) (W)	32	8,5	230/50	400	1,95	YES	A60	SEC	6 M	YES
FOO201C9B	SUZZARABLU PRO K24 230V/50HZ SB325_X	(Ad) (W)	32	8,5	230/50	400	1,95	YES	SB325	SEC	6 M	YES
FOO201BAC	SUZZARABLU PRO K24 SB325_X - EXT SUCT	(Ad) (W)	32	8,5	230/50	400	1,95	YES	SB325	BOTTOM	6 M	YES
FOO201A8B	SUZZARABLU PRO K24 12V	(Ad) (W)	35	9,2	12	260	22	YES	A60.	-	6 M	YES
FOO201B2B	SUZZARA BLUE BASIC 230V/50HZ W/SEC	(Ad) (W)	32	8,5	230/50	400	1,95	NO	MAN.	SEC	6 M	YES
FOO201E8B	SUZZARABLU BASIC 230V/50HZ SB325_X W/SEC	(Ad) (W)	32	8,5	230/50	400	1,95	NO	SB325	SEC	6 M	YES
FOO201A9B	SUZZARABLU BASIC 12V	(Ad) (W)	35	9,2	12	260	22	NO	MAN.	-	6 M	YES

SUZZARABLU PRO/BASIC