



KITS



PUMPS



METERS



METERED NOZZLES



NOZZLES



WASTE OIL EQUIPMENTS

# K500

## FEATURES

- PRESET FUNCTION
- HIGH ACCURACY
- STANDARD BATTERY AA
- ERGONOMIC GRAB
- ROTATING SPOUT
- SHOCK-ABSORBING PROTECTION
- IP55 PROTECTION
- ADJUSTABLE UNIT OF MEASUREMENT

The PIUSI K500 is the most widespread preset nozzle for oil. It has an ergonomic handle, an oval gear meter and a preset function to always choose the right quantity before dispensing.

### PERFORMANCE

UP TO <b>30 L/MIN</b>	<b>70 BAR</b>
FLOW RATE	OPERATING PRESSURE
<b>± 0,5%</b>	UP TO <b>2000 CST</b>
ACCURACY	VISCOSITY



K500



A

**ROTATING SPOUT**  
R12519000  
PAG. 96



B

**FLEXIBLE SPOUT**  
FOO676070  
PAG. 96



C

**RIGID SPOUT**  
FOO676080  
PAG. 96



### PACKAGING

CODE	WEIGHT		PACKAGING			N. BOXES/ EUROPALLETS	
	KG	LBS	MM	PCS/PALLET	PCS/BOX		
FOO68700D	1,8	4	28OX16OX14O		1	128	160
FOO68720A	1,8	4	28OX16OX14O		1	128	160
FOO68721A	1,8	4	28OX16OX14O		1	128	160



FILTRATION



FLUID MONITORING



TANK MONITORING



HOSE REELS



ACCESSORIES



MERCHANDISE

INDEX



AIR



ANTIFREEZE



AdBlue®



BIODIESEL



DIESEL



FOOD



GASOLINE



GREASE



KEROSENE



OIL

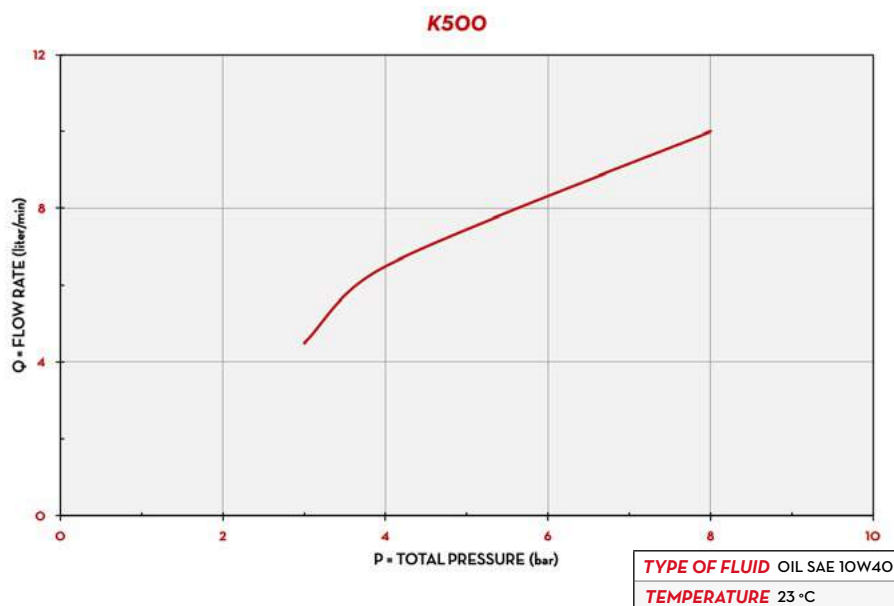


WATER

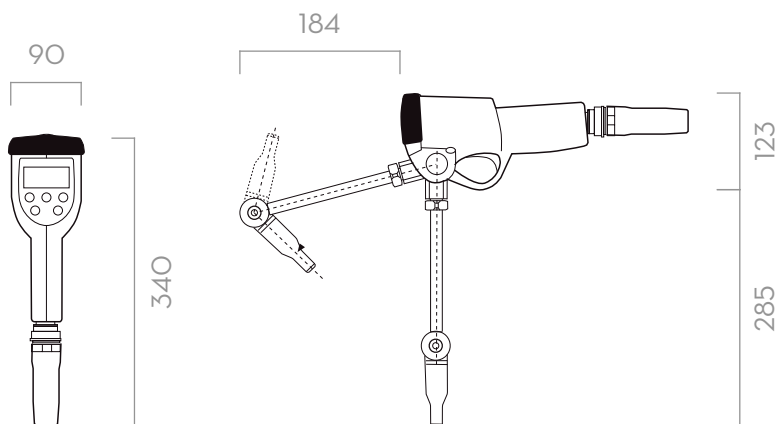


WINDSCREEN

### CHART



### DIMENSIONS



Dimensions expressed in millimeters

### IN THE BOX

- K500 NOZZLE
- INSTRUCTION MANUAL

### DETAILS



EASY PRESET QUANTITY



HIGH PROTECTION



METER WITH OVAL GEARS



BATTERY COMPARTMENT

### MATERIALS

- NOZZLE BODY: ALLUMINIUM
- VALVE: NBR, NICKEL PLATED STEEL, BRASS
- METER BODY: ALLUMINIUM
- GEARS: TECHNOPYLIMER

### TECHNICAL DATA

CODE	DESCRIPTION	FLUIDS TYPE	SPOUT TYPE	AUTOMATIC NO DRIP VALUE	FLOW RATE		WORKING PRESSURE		BATTERIES SIZE 1,5 V AA NO.	INLET
					L/MIN	GPM	BAR	PSI		
FOO68700D	K500 PRESET NOZZLE 1/2" BSP W/ROT SPOUT	O	A	YES	1 ÷ 30	0,26 ÷ 7,8	70	994	4	1/2" BSP
FOO68720A	K500 PRESET NOZZLE 1/2" BSP W/RIGID SPOU	O	C	YES	1 ÷ 30	0,26 ÷ 7,8	70	994	4	1/2" BSP
FOO68721A	K500 PRESET NOZZLE 1/2" BSP W/FLEX SPOUT	O	B	YES	1 ÷ 30	0,26 ÷ 7,8	70	994	4	1/2" BSP

# K500