



FUEL MANAGEMENT SYSTEMS



DISPENSERS



KITS



PUMPS



METERS



NOZZLES

PIUSI HAND PUMP

FEATURES

- OPTIMIZED SUCTION CAPACITY
- STURDY CONNECTOR
- HEAVY DUTY LEVER
- FLUENT REVOLUTION
- HIGH EFFICIENCY
- ADJUSTABLE SUCTION PIPE

The PIUSI HAND PUMP is a rotary vane pump suitable for transferring low viscosity oils and diesel. Entirely designed, manufactured and certified in Italy, this sturdy pump guarantees a professional performance and easy transfer.

PERFORMANCE

UP TO

38L

PER 100 REVOLUTIONS

FLOW RATE

3MT

LENGTH

DELIVERY HOSE



PIUSI HAND PUMP WITH HOSE AND STAINLESS STEEL SPOUT



PACKAGING

| CODE | WEIGHT | | PACKAGING | | | N. BOXES / EUROPALLET | |
|---------------------|--------|-----|-------------|------|---------|-----------------------|-----|
| | KG | LBS | MM | INCH | PCS/BOX | ✈ | 🚛 |
| WITHOUT HOSE | | | | | | | |
| FOO33250A | 2,1 | 4,6 | 350X170X140 | - | 1 | 50 | 100 |
| WITH HOSE | | | | | | | |
| FOO33252A | 3,2 | 7 | 300X300X180 | - | 1 | 50 | 100 |



FILTRATION



TANK MONITORING



HOSE REEL



ACCESSORIES



MERCHANDISE



AIR



ANTIFREEZE



AdBlue®



BIODIESEL



DIESEL



FOOD



GASOLINE



GREASE



KEROSENE



OIL

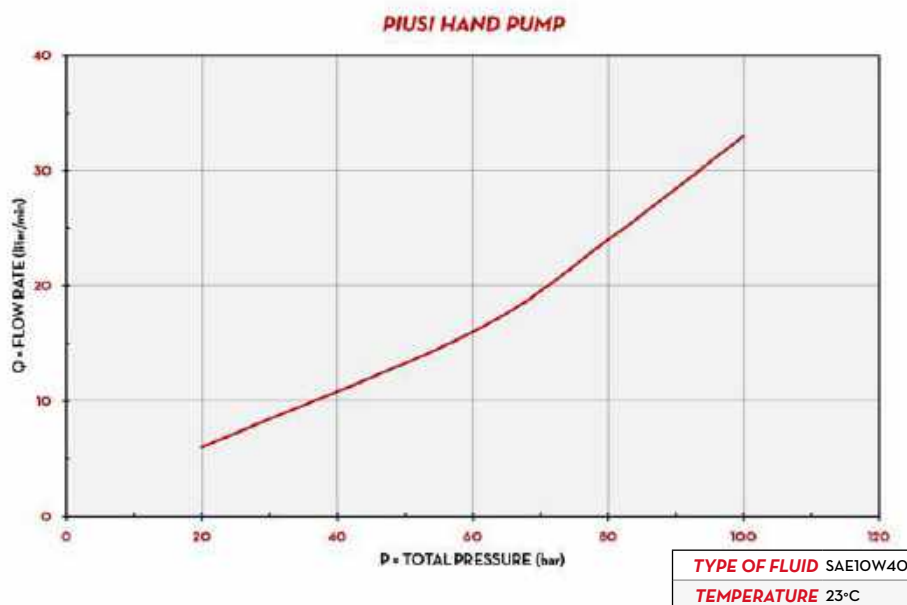


WATER

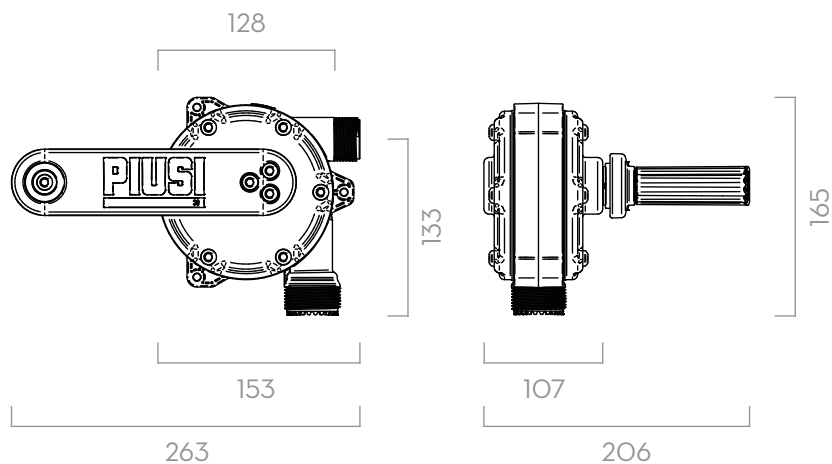


WINDSCREEN

CHART



DIMENSIONS



Dimensions expressed in millimeters

IN THE BOX

- PIUSI HAND PUMP
- SPOUT
- SUCTION PIPE
- DRUM CONNECTOR
- INSTRUCTION MANUAL

DETAILS



2" BSP DRUM CONNECTOR



SUCTION PIPE



NON-SLIP HANDLE



STAINLESS STEEL SPOUT

MATERIALS

- BODY: STAINLESS STEEL,
- TECHNOPOLYMER
- ROTOR: TECHNOPOLYMER
- VANES: TECHNOPOLYMER

TECHNICAL DATA

| CODE | DESCRIPTION | FLUIDS TYPE | CAPACITY PER 100 REVOLUTIONS | | DRUM CONNECTOR | SUCTION TUBE | "S" SPOUT AND HOSE TAIL | DELIVERY HOSE LENGTH |
|---------------------|--------------------------------------|--|------------------------------|-----|----------------|--------------|-------------------------|----------------------|
| | | | L | USG | | | | |
| WITHOUT HOSE | | | | | | | | |
| FO033250A | PIUSI HAND PUMP 2" BSP | D O | 38 | 10 | 2" BSP | YES | YES | - |
| WITH HOSE | | | | | | | | |
| FO033252A | KIT PIUSI HAND PUMP 2" BSP WITH HOSE | D O | 38 | 10 | 2" BSP | YES | - | 3M |

PIUSI HAND PUMP