



CAR FILLING



FUEL MANAGEMENT SYSTEMS



KITS



PUMPS



METERS



METERED NOZZLES

PIUSI HAND PUMP

FEATURES

- STURDY CONNECTOR
- HEAVY DUTY LEVER
- HIGH EFFICIENCY
- ADJUSTABLE SUCTION PIPE
- SELECTED MATERIALS
- BUILT-IN NON RETURN VALVE

The PIUSI HAND PUMP is a rotary vane pump suitable for transferring AdBlue®. Entirely designed, manufactured and certified in Italy, this sturdy pump guarantees a professional performance and it is indicated for all drum applications.

PERFORMANCE

UP TO

38 L

PER 100 REV.

FLOW RATE



PIUSI HAND PUMP



PACKAGING

| CODE | WEIGHT | | PACKAGING | | N. BOXES/EUROPALLET | |
|---------------------|--------|-----|-------------|---------|---------------------|-----|
| | KG | LBS | MM | PCS/BOX | | |
| WITHOUT HOSE | | | | | | |
| FO0332A0A | 2,1 | 4,6 | 350X170X140 | 1 | 50 | 100 |
| FO0332A1A | 2,1 | 4,6 | 350X170X140 | 1 | 50 | 100 |
| FO0332A4A | 2,1 | 4,6 | 350X170X140 | 1 | 50 | 100 |
| FO0332A6A | 2,1 | 4,6 | 350X170X140 | 1 | 50 | 100 |
| WITH HOSE | | | | | | |
| FO0332A2A | 3,2 | 7 | 300X300X180 | 1 | 50 | 100 |
| FO0332A8A | 3,2 | 7 | 300X300X180 | 1 | 50 | 100 |
| FO0332A5A | 3,2 | 7 | 300X300X180 | 1 | 50 | 100 |
| FO0332A7A | 3,2 | 7 | 300X300X180 | 1 | 50 | 100 |
| FO0332A9A | 3,2 | 7 | 300X300X180 | 1 | 50 | 100 |



NOZZLES



FILTRATION



TANK MONITORING



HOSE REEL



ACCESSORIES



MERCHANDISE

INDEX



AIR



ANTIFREEZE



AdBlue®



BIODIESEL



DIESEL



FOOD



GASOLINE



GREASE



KEROSENE



OIL



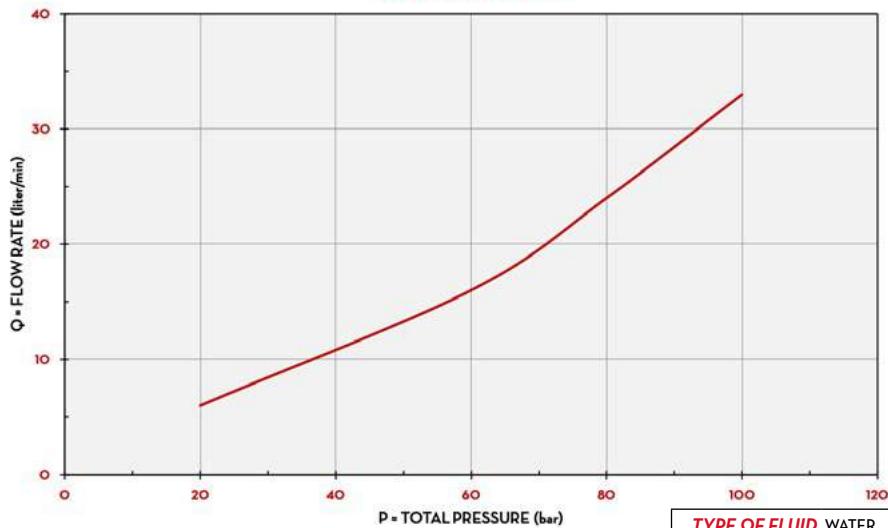
WATER



WINDSCREEN

CHART

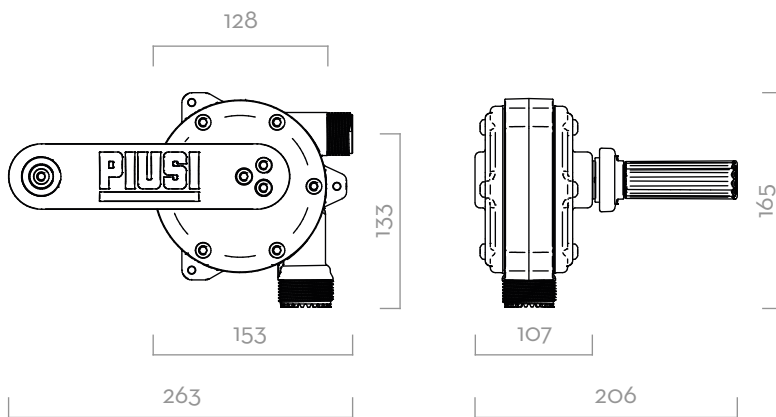
PIUSI HAND PUMP



TYPE OF FLUID WATER

TEMPERATURE 20°C

DIMENSIONS



Dimensions expressed in millimeters

IN THE BOX

- PIUSI HAND PUMP
- DRUM CONNECTOR
- SUCTION PIPE
- DELIVERY HOSE
- INSTRUCTION MANUAL

DETAILS



DRUM CONNECTOR



SUCTION PIPE



STAINLESS STEEL SPOUT

MATERIALS

- BODY: STAINLESS STEEL/TECHNOPOLYMER
- ROTOR: TECHNOPOLYMER
- VANES: TECHNOPOLYMER

TECHNICAL DATA

| CODE | DESCRIPTION | FLUIDS TYPE | 3D FILTER INCLUDED | CAPACITY PER 100 REVOLUTIONS | | DRUM CONNECTOR | SUCTION TUBE | DELIVERY HOSE LENGHT |
|---------------------|--|-------------|--------------------|------------------------------|-----|----------------|--------------|----------------------|
| | | | | L | USG | | | M |
| WITHOUT HOSE | | | | | | | | |
| FO0332A0A | PIUSI HAND PUMP 56X4 | Ad A W | NO | 38 | 10 | 56X4 | YES | - |
| FO0332A1A | PIUSI HAND PUMP UREA 2" BUT. | Ad A W | NO | 38 | 10 | 2" BUTTRESS | YES | - |
| FO0332A4A | PIUSI HAND PUMP UREA 2" BSP | Ad A W | NO | 38 | 10 | 2" BSP | YES | - |
| FO0332A6A | PIUSI HAND PUMP UREA 70X6 | Ad A W | NO | 38 | 10 | 70X6 | YES | - |
| WITH HOSE | | | | | | | | |
| FO0332A2A | PIUSI HAND PUMP UREA 56X4 W/HOSE | Ad A W | NO | 38 | 10 | 56X4 | YES | 2,5 |
| FO0332A8A | PIUSI HAND PUMP UREA 2" BUT. W/H F | Ad A W | YES | 38 | 10 | 2" BUTTRESS | YES | 2,5 |
| FO0332A5A | PIUSI HAND PUMP UREA 2" BSP W/HOSE | Ad A W | NO | 38 | 10 | 2" BSP | YES | 2,5 |
| FO0332A7A | PIUSI HAND PUMP UREA 70X6 W/HOSE | Ad A W | NO | 38 | 10 | 70X6 | YES | 2,5 |
| FO0332A9A | PIUSI HAND PUMP UREA 56X4 70X6 2"BSP W/H | Ad A W | NO | 38 | 10 | 2" BSP | YES | 2,5 |

PIUSI HAND PUMP