



KITS



PUMPS



METERS



METERED NOZZLES



NOZZLES



WASTE OIL EQUIPMENTS

# EASY OIL

## FEATURES

- BALANCED VALVE
- LIGHT PRESSURE LEVER
- ERGONOMIC GRAB
- BUILT-IN FILTER
- BUILT-IN LEVER LOCK
- COLOUR CODE SWIVEL

The PIUSI EASY OIL is a manual nozzle suitable for the delivery of a wide range of oils. Its ergonomic design and low weight make this nozzle unique in the market.



### PERFORMANCE

UP TO

**30 L/MIN**

FLOW RATE

**70 BAR**

OPERATING PRESSURE



EASY OIL WITH FLEXIBLE SPOUT



with rigid spout

with rotating spout

without spout

### PACKAGING

CODE	WEIGHT		PACKAGING			
	KG	LBS	MM	INCH	PCS/PALLET	PCS/BOX
FOO96600A	0,45	1	203X320X88	8X12,6X3,5		1
FOO966130	1,2	2,6	203X320X88	8X12,6X3,5		1
FOO966140	1,2	2,6	203X320X88	8X12,6X3,5		1
FOO966150	1,2	2,6	203X320X88	8X12,6X3,5		1



FILTRATION



FLUID MONITORING



TANK MONITORING



HOSE REELS



ACCESSORIES



MERCHANDISE

INDEX



AIR



ANTIFREEZE



AdBlue®



BIODIESEL



DIESEL



FOOD



GASOLINE



GREASE



KEROSENE



OIL

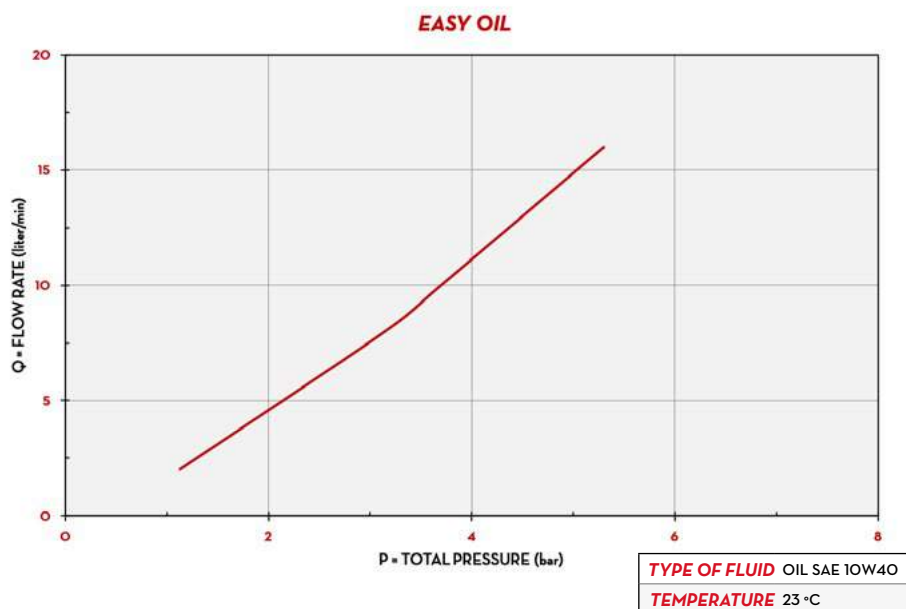


WATER



WINDSCREEN

### CHART



### IN THE BOX

- EASY OIL NOZZLE
- INSTRUCTION MANUAL

### DETAILS



1/2" OUTLET



SWIVEL 1/2 BSP



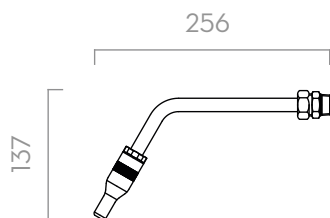
ANTI-SHOCK HANDGRIP

### MATERIALS

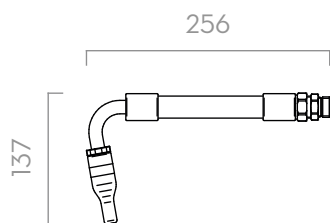
- BODY: ALLUMINIUM
- VALVE: NBR, NICKEL PLATED STEEL, BRASS

### DIMENSIONS

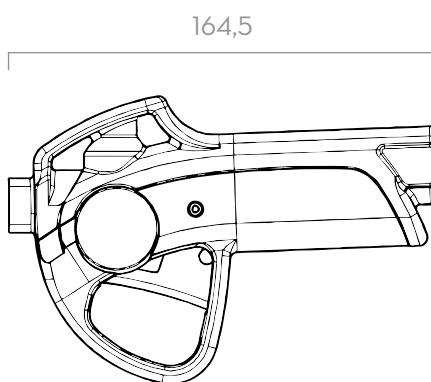
#### RIGID SPOUT



#### FLEXIBLE SPOUT



#### EASY OIL NOZZLE SIDE



Dimensions expressed in millimeters

### TECHNICAL DATA

CODE	DESCRIPTION	FLUIDS TYPE	FLOW RATE		WORKING PRESSURE		SPOUT			OUTLET	INLET
			L/MIN	GPM	BAR	PSI	ROTATING	RIGID	FLEXIBLE		
FO096600A	EASY OIL 1/2" BSP W/O SPOUT		1 - 30	0,26 - 7,8	70	994	-	-	-	1/2" BSP	1/2" BSP
FO0966130	EASY OIL 1/2" BSP W/RIGID SPOU - AUT VALV		1 - 30	0,26 - 7,8	70	994	-	YES	-	1/2" BSP	1/2" BSP
FO0966140	EASY OIL 1/2" BSP W/FLEX SPOUT - AUT VALV		1 - 30	0,26 - 7,8	70	994	-	-	YES	1/2" BSP	1/2" BSP
FO0966150	EASY OIL 1/2" BSP W/ROT SPOUT - AUT VALV		1 - 30	0,26 - 7,8	70	994	YES	-	-	1/2" BSP	1/2" BSP

NPT VERSION AVAILABLE

# EASY OIL