

| Standard executions | | | |
|-------------------------------|--------|--------|----------|
| Version | Symbol | Code | Item |
| Filter-regulator + lubricator | | 090604 | A14FRRLX |
| Filter-regulator | | 090601 | A14FRRX |
| Filter | | 090607 | A14FX |
| Regulator | | 090610 | A14RX |
| Lubricator | | 090613 | A14LX |



II 2Gc IIC TX
II 2Dc IIC TX

On request, they can be supplied according to 2014/34/EU - ATEX

| Options | Suffix |
|---|-----------|
| Filter 40 µm cartridge | 40 |
| NPT thread | N |
| Manual condense drain | H |
| Automatic condense drain | D |
| Seals for low temperature -40°C ÷ +70°C | BT |



Series of modular units in stainless steel AISI 316 suitable for industrial application like: food, medical, chemical, Oil & Gas and mining.

Light weight and compact size for space saving, the air preparation units have the following standard features:

- For high pressure use, corrosion and chemical resistance;
- Good performance in chemical working environments and outdoor facility;
- Suitable for food, medical, chemical, off-shore and mining industry;
- Metallic parts meet NACE Standard MR-01-75;
- The product effectively removes water and particle;
- Accurate and sensitive pressure setting;
- Lubricator oil can be replenished without stopping air supply.

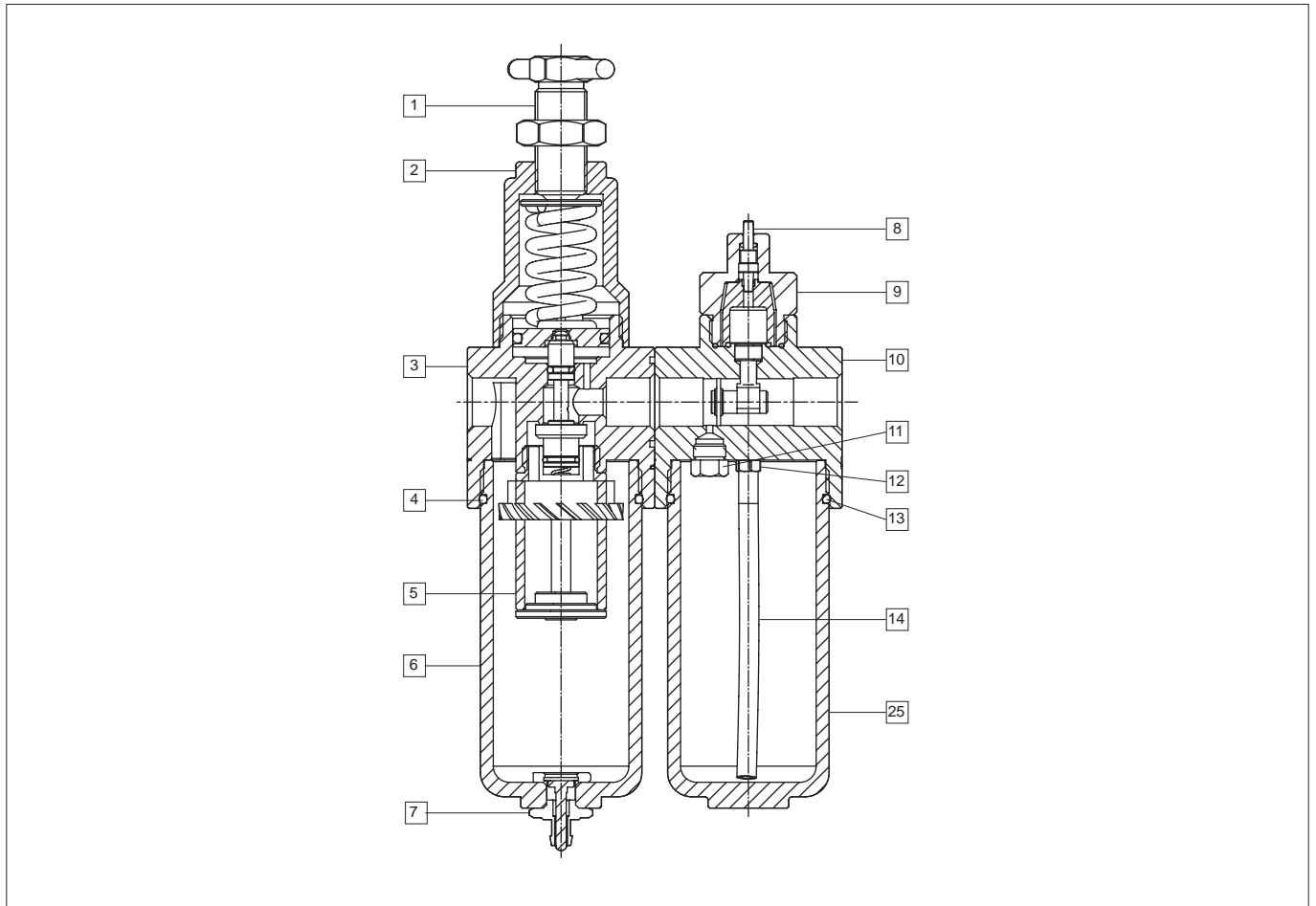
Order separately screw kit and o-ring for mounting FRRX + LX, see page 5.140.21

The modular units are supplied together with the bracket nuts and gauge always in stainless steel material.

How to order: A14FRRX40N

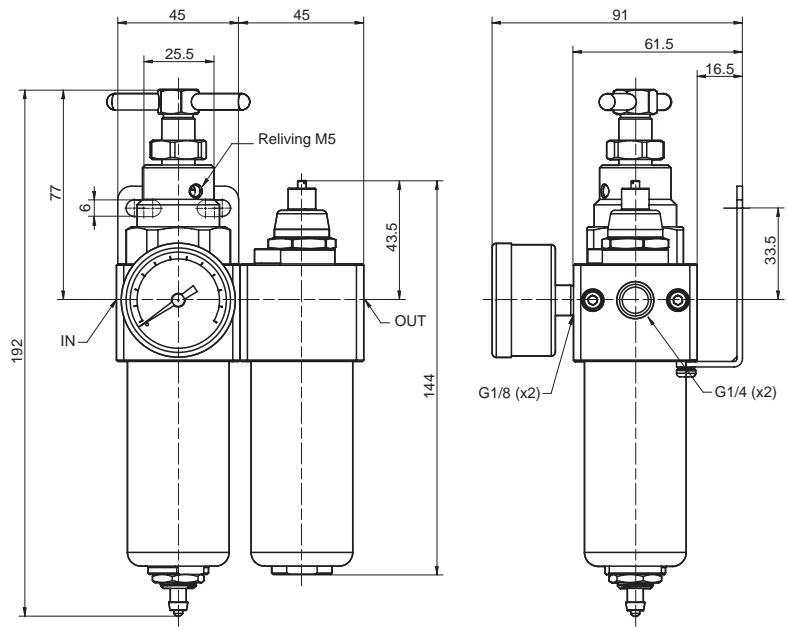
| A14FRRX | 40 | N |
|---------|--------|--------|
| Version | Option | Option |

| Technical data | | | | | |
|------------------------|--|---|--|-------------|---------------------|
| Item | A14FRRLX | A14FRRX | A14FX | A14RX | A14LX |
| Pressure | 30 bar | | | | |
| Regulation range | 0,5 ÷ 20 bar | | | | |
| Overpressure exhaust | Reliving M5 | Reliving M5 | - | Reliving M5 | - |
| Pressure regulator | Piston | Piston | - | Piston | - |
| Max. flow rate (l/min) | 1850 l/min | 1850 l/min | 1900 l/min | 1850 l/min | 2500 l/min |
| Temperature range | -10°C ÷ +70°C (std) -40°C ÷ +70°C (BT) | -10°C ÷ +70°C (std) -40°C ÷ +70°C (BT) | -10°C ÷ +70°C (standard) -40°C ÷ +70°C (BT) | | |
| Suggested oil | With ISO VG 32 viscosity according to normative ISO 3448 | | | | |
| Filtering element | 5 µm (standard) 40 µm (on request) | 5 µm (standard) 40 µm (on request) | 5 µm (standard) 40 µm (on request) | - | - |
| Condense drain | Semi-automatic (standard) - manual/automatic (on request) | | | - | - |
| Cup capacity | Filter: 105 cm ³ Lubricator: 125 cm ³ | 105 cm ³ | 105 cm ³ | - | 125 cm ³ |
| Weight | 2660 g | 1380 g | 1260 g | 1200 g | 1200 g |

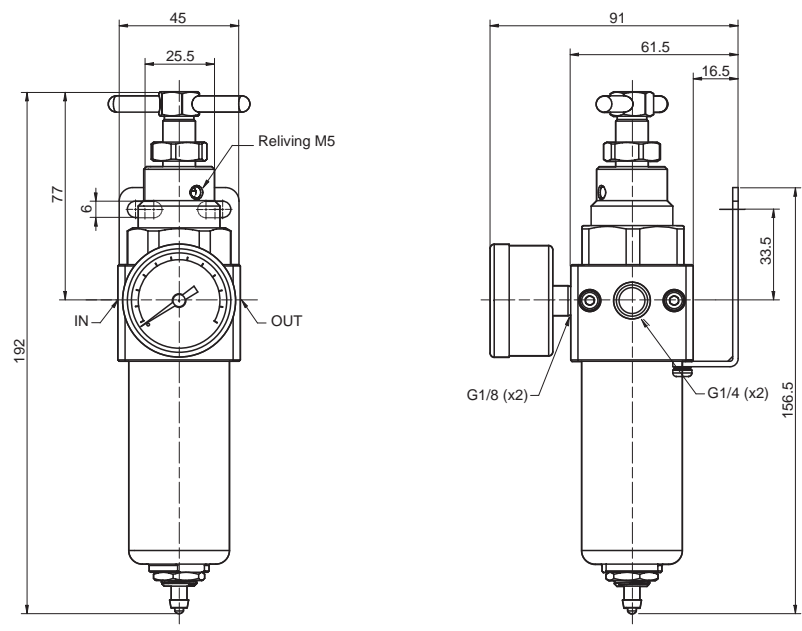


| Materials | | | | |
|-----------|--------------------------|----------------------------|--------------------|----------------------------|
| 1 | Pressure regulator screw | Stainless steel AISI 316 | 9 Lubricator cover | Stainless steel AISI 316 |
| 2 | Pressure regulator cup | Stainless steel AISI 316 | 10 Lubricator body | Stainless steel AISI 316 |
| 3 | Regulator body | Stainless steel AISI 316 | 11 Cover | Stainless steel AISI 316 |
| 4 | O-ring seal | FKM (standard) - EPDM (BT) | 12 Fitting | Stainless steel AISI 316 |
| 5 | Filtering element | Stainless steel AISI 316 | 13 O-ring seal | FKM (standard) - EPDM (BT) |
| 6 | Filter cup | Stainless steel AISI 316 | 14 Pipe | PU |
| 7 | Drain unit | Stainless steel AISI 316 | 15 Lubricator cup | Stainless steel AISI 316 |
| 8 | Oil regulation screw | Stainless steel AISI 316 | | |

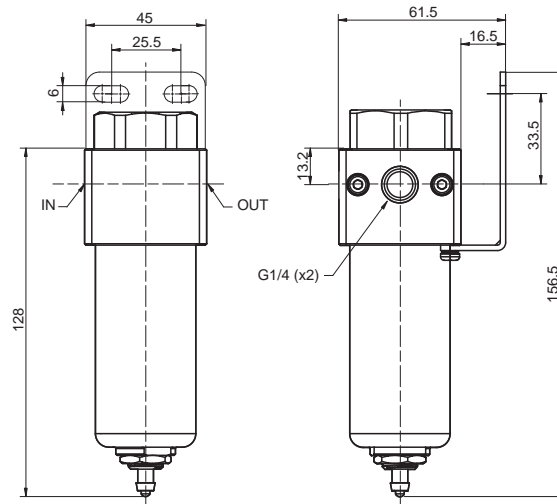
| Description | Code | Item |
|----------------------|--------|-------------|
| Screw kit and o-ring | 090618 | VOXKIT-1/4" |



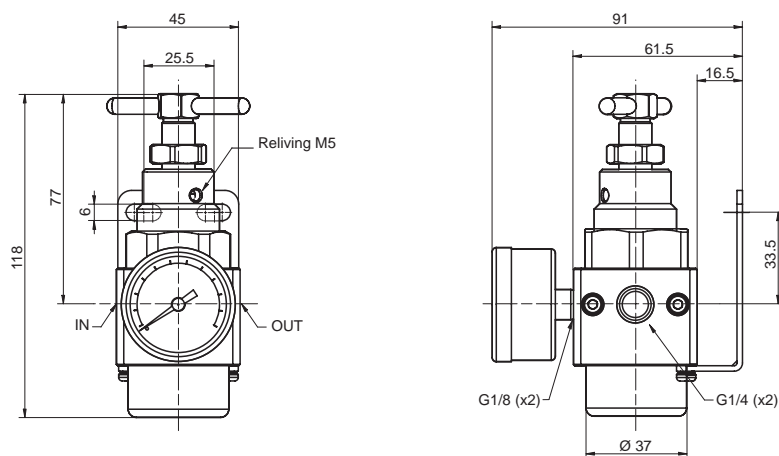
| Version | Symbol | Code | Item |
|-------------------------------|--------|--------|----------|
| Filter-regulator + lubricator | | 090604 | A14FRRLX |



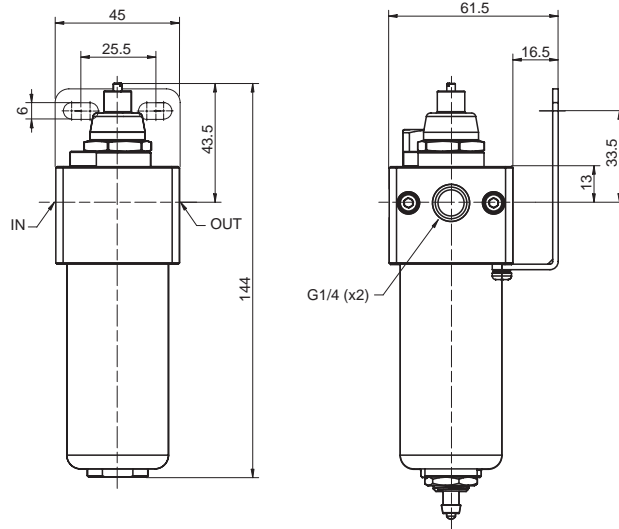
| Version | Symbol | Code | Item |
|------------------|--------|--------|---------|
| Filter-regulator | | 090601 | A14FRRX |



| Version | Symbol | Code | Item |
|---------|--------|--------|-------|
| Filter | | 090607 | A14FX |



| Version | Symbol | Code | Item |
|-----------|--------|--------|-------|
| Regulator | | 090610 | A14RX |



| Version | Symbol | Code | Item |
|------------|--------|--------|-------|
| Lubricator | | 090613 | A14LX |