



CAR FILLING



DISPENSERS



PUMPS



METERS



NOZZLE METERS



NOZZLES

SUZZARABLU PUMP AC

FEATURES

- **READY TO USE**
- **MULTI-PURPOSE PUMP**
- **SELF PRIMING**
- **BUILT-IN BYPASS VALVE**

The Piusi SUZZARABLU AC PUMP is the most famous diaphragm pump for AdBlue®. It is equipped with electric motor without any dynamic seals. This solution allows to obtain a reliable industrial pump together with self priming capabilities.

PERFORMANCE

UP TO

30 L/MIN

FLOW RATE

20 MIN

DUTY CYCLE



SUZZARABLU PUMP AC



PACKAGING

CODE	WEIGHT		PACKAGING		N. BOXES/EUROPALLET	
	KG	LBS	MM	PCS/BOX		
FO0203090	7	15,4	350X180X280	1	60	84



FILTRATION



FLUID MONITORING



HOSE REELS



ACCESSORIES



MERCHANDISE



AIR



ANTIFREEZE



AdBlue®



BIODIESEL



DIESEL



FOOD



GASOLINE



GREASE



KEROSENE



OIL



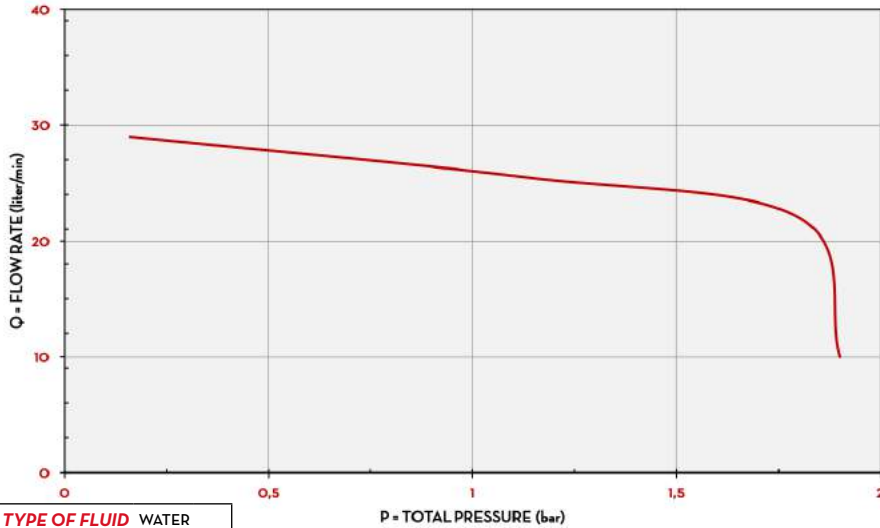
WATER



WINDSCREEN

CHARTS

SUZZARABLUE AC



TYPE OF FLUID WATER
 TEMPERATURE 20 °C

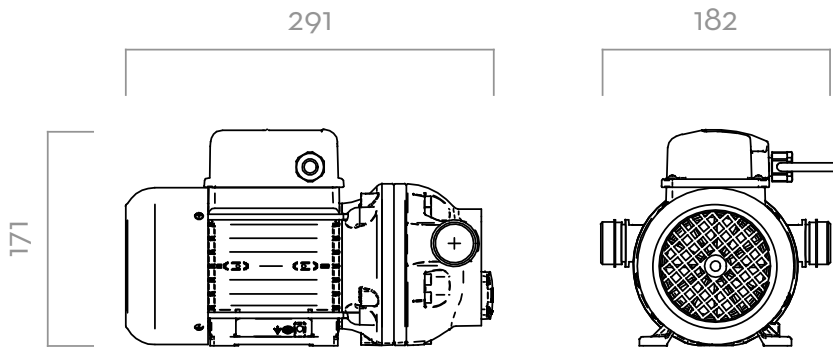
IN THE BOX

- SUZZARABLUE PUMP
- HOSE FITTINGS
- INSTRUCTION MANUAL

DETAILS



DIMENSIONS



Dimensions expressed in millimeters

MATERIALS

- BODY: POLIPROYLENE
- DIAPHRAGM: POLIPROYLENE

TECHNICAL DATA

CODE	DESCRIPTION	FLUIDS TYPE	FLOW-RATE		VOLTAGE				CABLES	INLET-OUTLET	ON/OFF
			L/MIN	GPM	AC V/HZ DC VOLT	RPM	POWER WATT	AMP. MAX.			
FOO203090	SUZZARABLUE AC PUMP 230/50		32	8,5	230/50	1450	400	1,95	YES	3/4"	YES

UPON REQUEST IT IS AVAILABLE WITH DIFFERENT VOLTAGE AND FREQUENCY.

SUZZARABLUE PUMP AC