



CAR FILLING



DISPENSERS



PUMPS



METERS



NOZZLE METERS



NOZZLES

# SUZZARABLU PRO/BASIC

## FEATURES

- THE EASIEST SOLUTION FOR IBC
- MANUAL/AUTOMATIC NOZZLE
- SUZZARABLU DIAPHRAGM
- EASY TO INSTALL

The PIUSI Suzzarablu Side is the first AdBlue® IBC dispenser introduced in the market since 2006. Its sturdy design and practicality makes this product the most common AdBlue® dispenser around the world.

## PERFORMANCE

UP TO  
**35 L/MIN**

FLOW RATE

**AC/DC**  
VOLTAGE

POWER

**± 1%**

ACCURACY

**20MIN**

DUTY CYCLE



SUZZARABLU PRO/BASIC



## PACKAGING

CODE	WEIGHT		PACKAGING		
	KG	LBS	MM	INCH	PCS/BOX
FOO201B1B	16	35,3	470X370X265	18,3X14,6X10,4	1
FOO201C9B	16	35,3	470X370X265	18,3X14,6X10,4	1
FOO201BAC	16	35,3	470X370X265	18,3X14,6X10,4	1
FOO201A8B	12,6	27,8	470X370X265	18,3X14,6X10,4	1
FOO201B2B	16	35,3	470X370X265	18,3X14,6X10,4	1
FOO201E8B	16	35,3	470X370X265	18,3X14,6X10,4	1
FOO201E7B	16	35,3	470X370X265	18,3X14,6X10,4	1
FOO201A9B	12,6	27,8	470X370X265	18,3X14,6X10,4	1



FILTRATION



FLUID MONITORING



HOSE REELS



ACCESSORIES



MERCHANDISE



AIR



ANTIFREEZE



AdBlue®



BIODIESEL



DIESEL



FOOD



GASOLINE



GREASE



KEROSENE



OIL

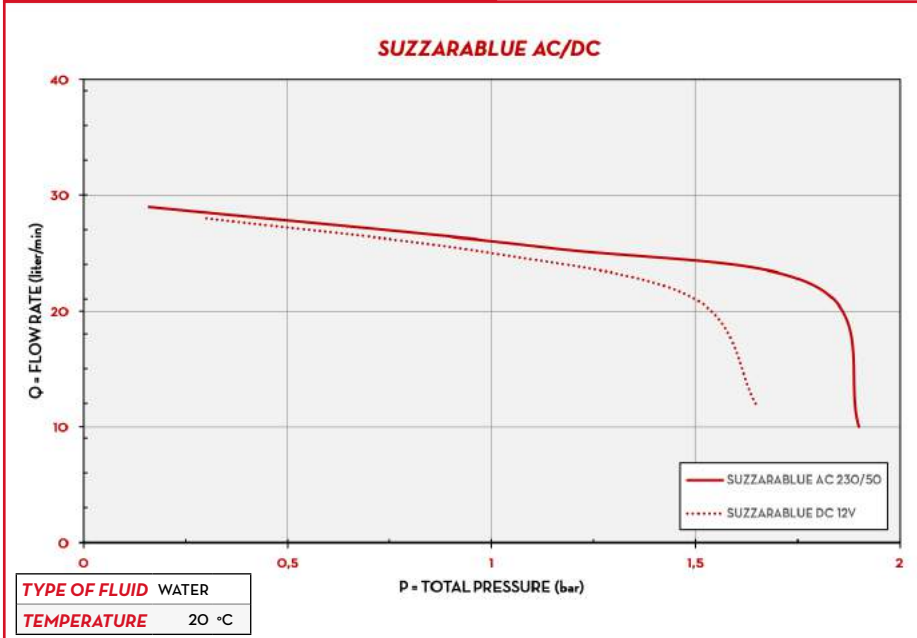


WATER

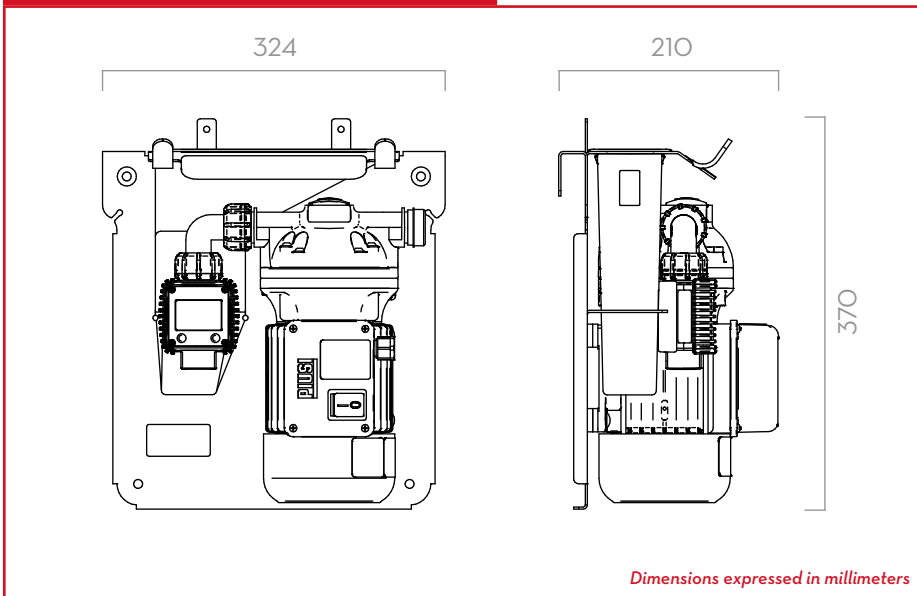


WINDSCREEN

CHARTS



DIMENSIONS



IN THE BOX

- SUZZARBLUE AC/DC UNIT
- MANUAL NOZZLE / AUTO NOZZLE (PRO VERSION)
- FLOW METER (ON REQUEST)
- SUCTION / DELIVERY HOSE
- INSTRUCTION MANUAL

DETAILS



DC VERSION



SUCTION



K24 METER



NOZZLE

MATERIALS

- PUMP:  
SUZZARBLUE PUMP AC PAG. 40  
SUZZARBLUE PUMP DC PAG. 44
- METER:  
K24 METER PAG. 64
- NOZZLE:  
SB325\_X METER PAG. 76  
SB325\_X PAG. 84  
SUZZARBLUE A60 PAG. 86  
SUZZARBLUE MANUAL NOZZLE PAG. 88

TECHNICAL DATA

CODE	DESCRIPTION	FLUIDS TYPE	FLOW-RATE		VOLTAGE			METER MOD.	NOZZLE TYPE	SUCTION	HOSE LENGTH Ø 3/4"	ON/OFF SWITCH
			L/MIN	GPM	AC V/ HZ DC VOLT	POWER WATT	AMP. MAX.					
FOO201B1B	SUZZARBLUE PRO K24 + NOZZLE A60	Ad W	32	8,5	230/50	400	1,95	YES	A60	SEC	6 M	YES
FOO201C9B	SUZZARBLUE PRO K24 + SB325_X	Ad W	32	8,5	230/50	400	1,95	YES	SB325	SEC	6 M	YES
FOO201BAC	SUZZARBLUE PRO K24 + SB325_X + EXT. SUCT.	Ad W	32	8,5	230/50	400	1,95	YES	SB325	BOTTOM	6 M	YES
FOO201A8B	SUZZARBLUE PRO 12V K24 + NOZZLE A60	Ad W	35	9,2	12	260	22	YES	A60.	-	6 M	YES
FOO201B2B	SUZZARBLUE BASIC	Ad W	32	8,5	230/50	400	1,95	NO	MAN.	SEC	6 M	YES
FOO201E8B	SUZZARBLUE BASIC + SB325_X	Ad W	32	8,5	230/50	400	1,95	NO	SB325	SEC	6 M	YES
FOO201E7B	SUZZARBLUE BASIC + SB325_X + 8 MT HOSE	Ad W	32	8,5	230/50	400	1,95	NO	SB325	SEC	8 M	YES
FOO201A9B	SUZZARBLUE BASIC 12V	Ad W	35	9,2	12	260	22	NO	MAN.	-	6 M	YES

**SUZZARBLUE PRO/BASIC**