



CAR FILLING



DISPENSERS



PUMPS



METERS



NOZZLE METERS



NOZZLES

SUZZARABLUE A60

FEATURES

- **READY TO USE**
- **STURDY DESIGN**
- **STAINLESS STEEL BODY**

The Piusi SUZZARABLUE A60 is an automatic nozzle suitable to dispense AdBlue® featuring a device that stops the dispensing when the tank is full. It comes with a hose-tail fitting.

PERFORMANCE

UP TO

40 L/MIN

FLOW RATE

3,4 BAR

PRESSURE



SUZZARABLUE A60



PACKAGING

CODE	WEIGHT		PACKAGING		
	KG	LBS	MM	INCH	PCS/BOX
FOO61903B	2,6	5,7	357X357X275	14,1X14,1X10,8	1



FILTRATION



FLUID MONITORING



HOSE REELS



ACCESSORIES



MERCHANDISE



AIR



ANTIFREEZE



AdBlue®



BIODIESEL



DIESEL



FOOD



GASOLINE



GREASE



KEROSENE



OIL



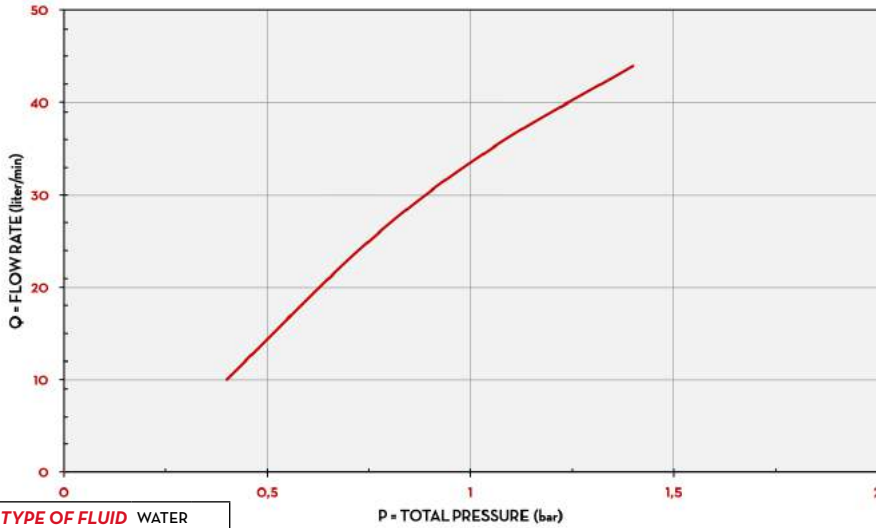
WATER



WINDSCREEN

CHARTS

SUZZARABLUE A60



TYPE OF FLUID WATER
 TEMPERATURE 20 °C

IN THE BOX

- SUZZARABLUE NOZZLE A60
- INSTRUCTION MANUAL

DETAILS

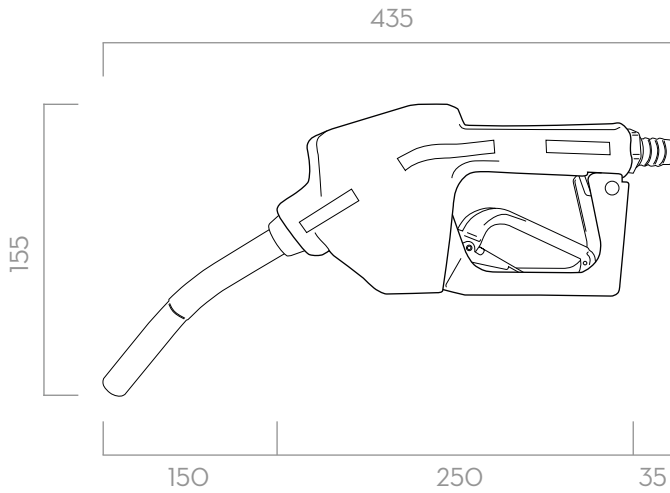


AUTOMATIC STOP



STAINLESS STEEL SPOUT

DIMENSIONS



Dimensions expressed in millimeters

MATERIALS

- SPOUT: STAINLESS STEEL
- BODY: STAINLESS STEEL

TECHNICAL DATA

CODE	DESCRIPTION	FLUIDS TYPE	FLOW-RATE		PRESSURE	INLET	SWIVEL	SPOUT
			L/MIN	GPM				
FOO61903B	SUZZARABLUE A60		40	21,1	3,4	3/4"	YES	3/4"

SUZZARABLUE A60