



CAR FILLING



DISPENSERS



PUMPS



METERS



NOZZLE METERS



NOZZLES

SB325_X METER

FEATURES

- HEAVY DUTY
- VERSATILE
- BUILT-IN TURBINE METER
- BREAK-AWAY SYSTEM
- MULTI-FUNCTIONAL DISPLAY

The Piusi SB325_X METER is the patented automatic nozzle-meter by Piusi for AdBlue®. It is composed by an innovative technopolymer casing, a break-away system, a stainless steel spout and the Piusi K24 meter with 1% accuracy.

Safety is guaranteed by the break-away system. In the event that a vehicle accidentally drives away with the nozzle still in the tank, the spout is designed to detach from the nozzle. This system also allows for a quick repair by merely fitting a new spout onto the nozzle.

PERFORMANCE

± 1%

ACCURACY

3,5 BAR

PRESSURE

**UP TO
45 L/MIN**

FLOW RATE



SB325_X METER



PACKAGING

CODE	WEIGHT		PACKAGING		
	KG	LBS	MM	INCH	PCS/BOX
FOO61701A	1,0	2,2	447X178X63	17,6X7X2,5	1



FILTRATION



FLUID MONITORING



HOSE REELS



ACCESSORIES



MERCHANDISE



AIR



ANTIFREEZE



AdBlue®



BIODIESEL



DIESEL



FOOD



GASOLINE



GREASE



KEROSENE



OIL

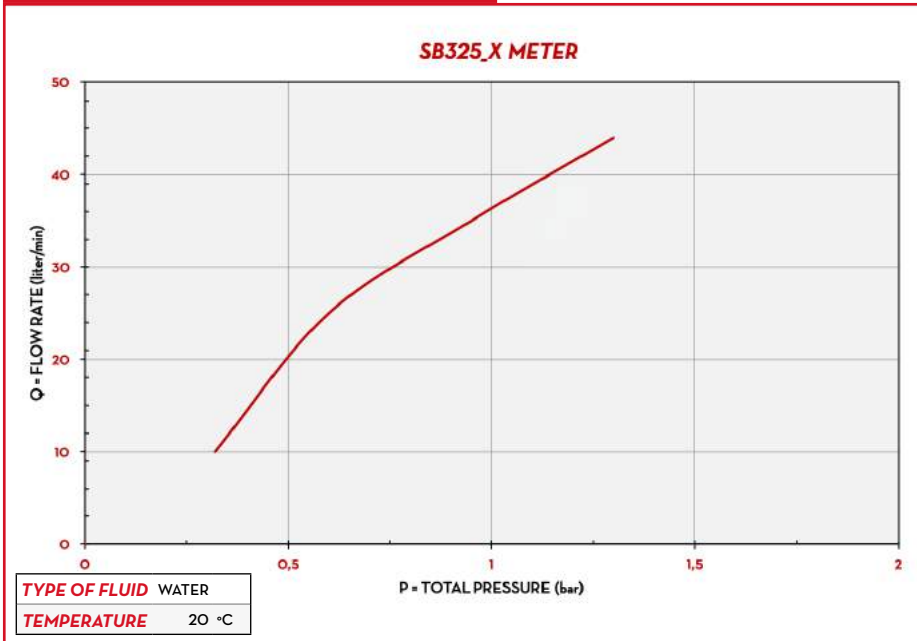


WATER



WINDSCREEN

CHARTS



IN THE BOX

- SB325_X NOZZLE
- INSTRUCTION MANUAL

DETAILS

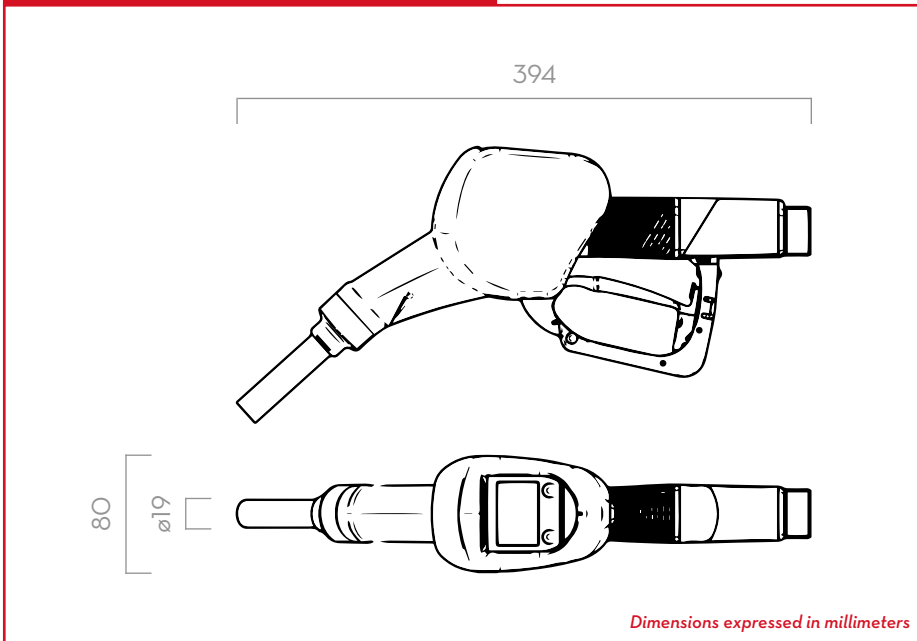


BREAK-AWAY SYSTEM



MULTI-FUNCTIONAL DISPLAY

DIMENSIONS



MATERIALS

- SPOUT: STAINLESS STEEL
- BODY: TECHNOPOLYMER
- TURBINE: TECHNOPOLYMER

TECHNICAL DATA

CODE	DESCRIPTION	FLUIDS TYPE	FLOW-RATE		MAGNETIC ADAPTOR	METER	PRESSURE	INLET	SWIVEL	SPOUT
			L/MIN	GPM			BAR			EXT. Ø
FOO61701A	AUTOMATIC NOZZLE SB325_X METER		45	12	NO	YES	3,5	3/4"	YES	19 MM

SB325_X METER