



CAR FILLING



DISPENSERS



PUMPS



METERS



NOZZLE METERS



NOZZLES

# K24 SUZZARABLUE MANUAL NOZZLE

## FEATURES

- READY TO USE
- ERGONOMIC GRAB
- LOW WEIGHT

## PERFORMANCE

UP TO

**80 L/MIN**

FLOW RATE

**0,5%**

ACCURACY

**3,4 BAR**

PRESSURE

LESS THAN

**1 KG**

NOZZLE WEIGHT



K24 SUZZARABLUE MANUAL NOZZLE



## PACKAGING

CODE	WEIGHT		PACKAGING		
	KG	LBS	MM	INCH	PCS/BOX
FO0870020	1	2,2	300X390X390X260	11,8X15,4X10,2	1



FILTRATION



FLUID MONITORING



HOSE REELS



ACCESSORIES



MERCHANDISE



AIR



ANTIFREEZE



AdBlue®



BIODIESEL



DIESEL



FOOD



GASOLINE



GREASE



KEROSENE



OIL



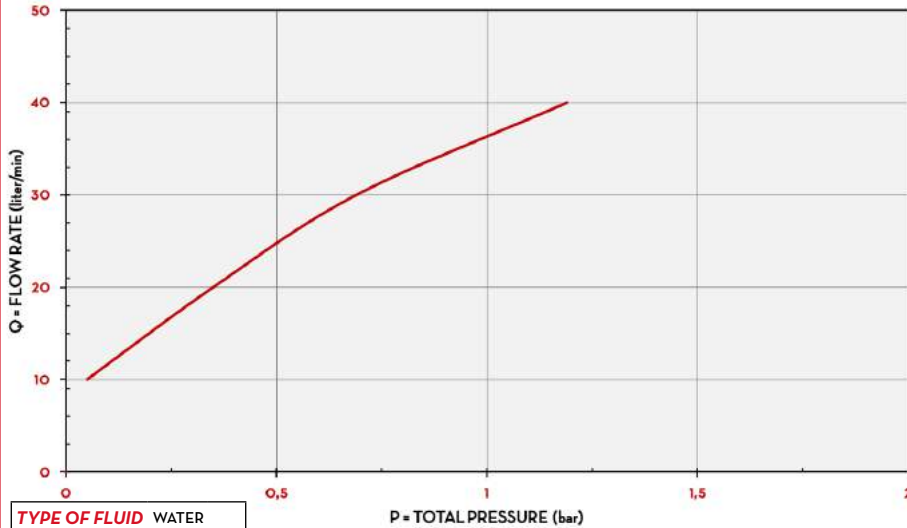
WATER



WINDSCREEN

## CHARTS

### K24 SUZZARABLU MANUAL NOZZLE



TYPE OF FLUID WATER  
 TEMPERATURE 20 °C

## IN THE BOX

- K24 SUZZARABLU MANUAL NOZZLE
- INSTRUCTION MANUAL

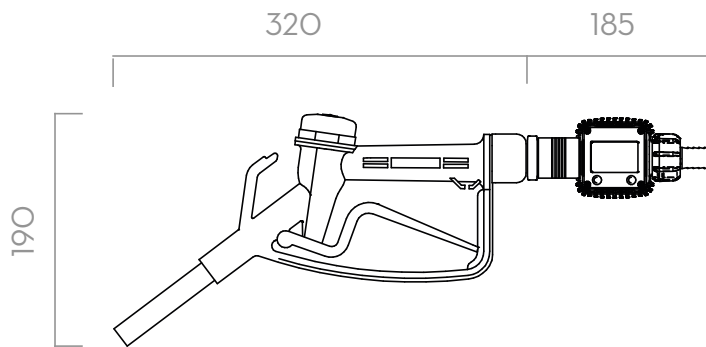
## DETAILS



## MATERIALS

- BODY: TECHNOPOLYMER
- SPOUT: STAINLESS STEEL

## DIMENSIONS



Dimensions expressed in millimeters

## TECHNICAL DATA

CODE	DESCRIPTION	FLUIDS TYPE	FLOW-RATE		PRESSURE	INLET	SWIVEL	SPOUT
			L/MIN	GPM				
FO0870020	K24 SUZZARABLU MANUAL NOZZLE		5 - 80	1,3 - 21	3,4	3/4"	NO	3/4"

# K24 SUZZARABLU MANUAL NOZZLE