

# RM-150 HEAVY DUTY LARGE DELIVERY HOSE REELS



15 METERS MAXIMUM HOSE CAPACITY

508 810

### FLUIDS HANDLED

- Water.
- Diesel.

### MARKETS / APPLICATIONS

- Fleets.
- Lube trucks.
- Mining and construction.
- Railroad and mass transit.
- General manufacturing.

### MOUNTING

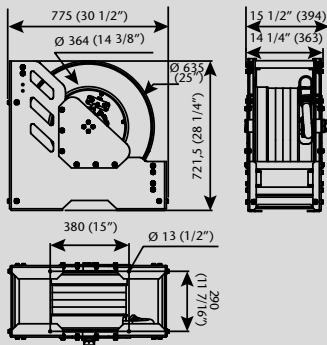
- Floor.
- Tank.

Full metal, Intensive Duty, hose reel with hose capacity up to 15 m x 1-1/2" hose.



04

HOSE REELS



Dimensions mm (inches)

- Very tough construction large delivery reels, able to stand regular use and abuse in Intensive Duty applications.
- Fatigue resistant steel spring for years of durable performance and even load when pulling and recoiling the hose.
- Full port shaft and swivel for no restrictions.
- Spool mounted on two permanent lubricated and sealed ball bearings to reduce torque load on spring for smooth retraction and longer life.
- Large effective radial latching area for easier operation.
- Hose guide arm can be placed in two different positions to accommodate any method of mounting.
- Narrow footprint allows accommodating more reels on the same surface.

PART No.	BARE REEL	HOSE IN Ø	HOSE LENGTH	CONNECTING HOSE INLET	DELIVERY HOSE OUTLET	PRESSURE RATING	WEIGHT (With hose)
<b>WATER / DIESEL</b>							
<b>508 810</b>	<b>508 890</b>	1-1/2"	15 m	1-1/2" BSP (F)	1-1/2" BSP (F)	20 bar	87 kg