

RM-12CL INDIVIDUALLY ENCLOSED HOSE REELS



15 METERS MAXIMUM HOSE CAPACITY

507 202

FLUIDS HANDLED

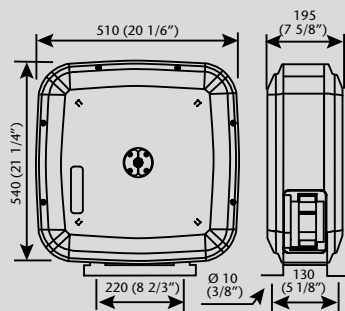
- Air.
- Water.
- Antifreeze and Windshield Wash Solutions.
- High Pressure Hot Water.
- Synthetic and Mineral Oils.
- AdBlue® / DEF.
- Grease.

MARKETS / APPLICATIONS

- Car and truck dealers.
- Service shops.
- Fleets.
- General manufacturing.
- Service stations.
- Lube trucks.
- Quick lubes.

MOUNTING

- Floor.
- Wall.
- Ceiling.
- Tank.



Dimensions mm (inches)

Aluminium enclosure with composite spool hose reels, can handle up to 15 m x 1/2" hose.



04

HOSE REELS

PART No.	BARE REEL	HOSE IN Ø	HOSE LENGTH	CONNECTING HOSE INLET	DELIVERY HOSE OUTLET	PRESSURE RATING	WEIGHT (With hose)
AIR / WATER / ANTIFREEZE SOLUTIONS							
507 101	507 910	3/8"	10 m	3/8" BSP (M)	3/8" BSP (M)	15 bar	18,4 kg
507 121	507 912	3/8"	15 m	3/8" BSP (M)	3/8" BSP (M)	15 bar	20,7 kg
507122	507 919	1/2"	15 m	1/2" BSP (M)	1/2" BSP (M)	15 bar	21,4 kg
WINDSHIELD AND WINDSHIELD WASH SOLUTIONS / AdBlue® - DEF / DETERGENTS							
507 762	507 976	1/2"	10 m	1/2" BSP (M)	1/2" BSP (M)	20 bar	19 kg
507 782	507 978	1/2"	15 m	1/2" BSP (M)	1/2" BSP (M)	20 bar	20,5 kg
SYNTHETIC AND MINERAL OILS							
507 202	507 920	1/2"	10 m	1/2" BSP (M)	1/2" BSP (M)	160 bar	18,9 kg
507 222	507 922	1/2"	15 m	1/2" BSP (M)	1/2" BSP (M)	160 bar	21,4 kg
507 212*	507 921	1/2"	15 + 3 m	1/2" BSP (M)	1/2" BSP (M)	160 bar	22,2 kg
WASTE OIL SUCTION							
507 503	507 950	5/8"	6 m	1/2" BSP (M)	1/2" BSP (M)	Vacuum	19,1 kg
GREASE AND HYDRAULIC FLUID							
507 300	507 930	1/4"	10 m	1/4" BSP (M)	1/4" BSP (M)	350 bar	18,8 kg
507 301	507 934	3/8"	10 m	3/8" BSP (M)	1/4" BSP (M)	280 bar	19,5 kg
507 321	507 936	3/8"	15 m	3/8" BSP (M)	1/4" BSP (M)	280 bar	22,6 kg
507 311*	507 935	3/8"	15 + 3 m	3/8" BSP (M)	1/4" BSP (M)	280 bar	23,6 kg
HIGH PRESSURE HOT WATER (UP TO 100 °C)							
507 421	507 942	3/8"	15 m	3/8" BSP (M)	1/4" BSP (M)	170 bar	22,2 kg

- Corrosion resistant aluminium enclosure form a very rigid and stable structure, with light weight and attractive design.
- Fatigue resistant steel spring for years of durable performance and even load when pulling and recoiling the hose.
- Full port shaft and swivel for no restrictions.
- Spool mounted on two permanent lubricated and sealed ball bearings to reduce torque load on spring for smooth retraction and longer life.
- Large effective radial latching area for easier operation.
- Positionable mounting brackets to accommodate any method of mounting.
- Two large lateral service windows facilitate common maintenance operations.
- Hose reels with hose include 0,8 m inlet hose.



Reel with arms in ceiling mounting position.

*15 + 3 m models shall be need in installations allowing a minimum of 3 m of hose hanging from the reel.