



## Specification

### Nominal size

56mm

### Inlet connection

1" BSP

### Outlet/process connection

56mm

### Properties

Fire-safe design. Non-protruding poppet

### Selectivity

None as standard. All industry accepted selective positions are available, refer to the Selectivity data sheet

### Materials

Contact parts: 316 stainless steel

Poppet O ring: Viton

Alternatives are available, refer to the Design Options page

## Design Conditions

|                         |                              |
|-------------------------|------------------------------|
| Weight:                 | 0.7 Kg                       |
| Design Pressure (MAWP): | 25 Bar                       |
| Test Pressure:          | 37.5 Bar                     |
| Max. Coupling Pressure: | specified by the hose unit   |
| Design Temp. Min/Max:   | -40°C / 200°C (metal parts)  |
| Design Temp. Min/Max:   | -20°C / 200°C (Viton O ring) |

**NOTE:** The working temperature of the poppet O ring can change the design temperature limits. The Design Conditions and Section View dimensions are for the specified part number only.

### Design Code

BS EN 14432

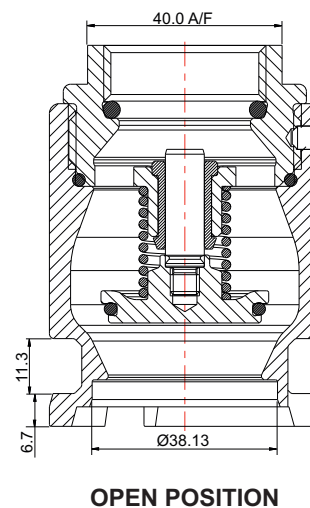
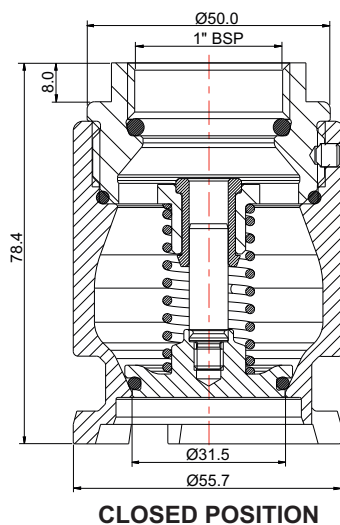
## Range

| Description                              | Part No.     |
|--|--------------|
| 1" BSP inlet, Viton seal, no selectivity | 376V/B560A00 |

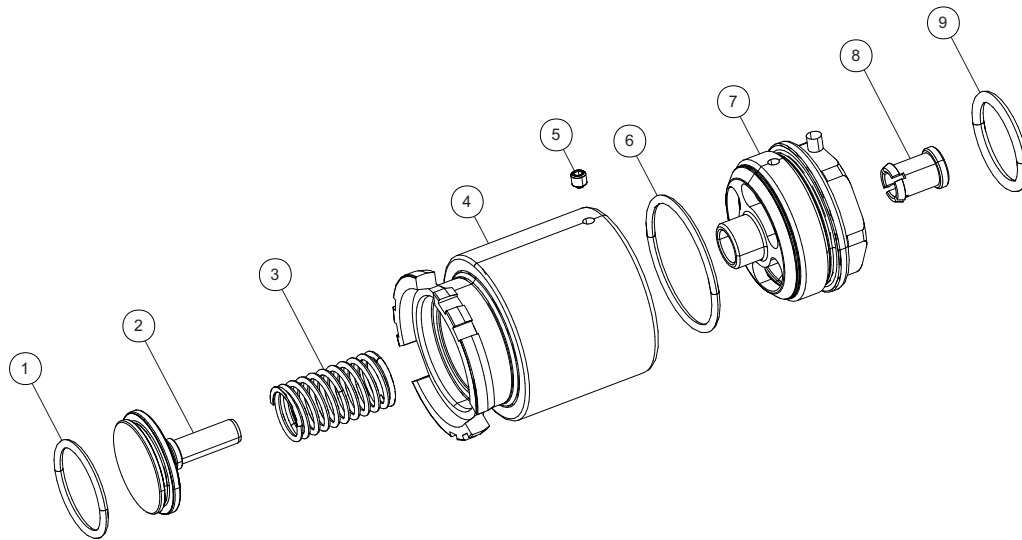
## Related Parts

| Description                       | Part No.     |
|-----------------------------------|--------------|
| 56mm pressure-tight cap           | 915/5410X    |
| 56mm/1" BSP hose unit, Viton seal | 895V/B560A00 |

## Section View



## Parts Drawing



## Parts List

| Item | Description                             | Part No.    |
|------|---|-------------|
| 1    | Viton poppet O ring <b>*Note</b>        | ORB121V     |
| 2    | Poppet assembly                         | 376/0563    |
| 3    | Poppet spring                           | 5104-805    |
| 4    | 56mm body (no selectivity) <b>*Note</b> | 376/B561A00 |
| 5    | Sockethead screw                        | 5121-001    |
| 6    | PTFE O ring                             | ORB130P0    |
| 7    | 1" BSP body half                        | 376/B566    |
| 8    | Guide bush                              | 376/0566/1  |
| 9    | PTFE O ring                             | ORB215P0    |

**NOTE:** The tank unit specification changes the Part No.



## Specification

### Nominal size

70mm

### Inlet connection

2" BSP

### Outlet/process connection

70mm

### Properties

Fire-safe design. Non-protruding poppet

### Selectivity

None as standard. All industry accepted selective positions are available, refer to the Selectivity data sheet

### Materials

Contact parts: 316 stainless steel

Poppet O ring: Viton

Alternatives are available, refer to the Design Options page

## Design Conditions

|                         |                                       |
|-------------------------|---------------------------------------|
| Weight:                 | 1.2 Kg                                |
| Design Pressure (MAWP): | 25 Bar                                |
| Test Pressure:          | 37.5 Bar                              |
| Max. Coupling Pressure: | specified by the hose unit            |
| Design Temp. Min/Max:   | -40°C / 200°C ( <b>metal parts</b> )  |
| Design Temp. Min/Max:   | -20°C / 200°C ( <b>Viton O ring</b> ) |

**NOTE:** The working temperature of the poppet O ring can change the design temperature limits. The Design Conditions and Section View dimensions are for the specified part number only.

### Design Code

BS EN 14432

## Range

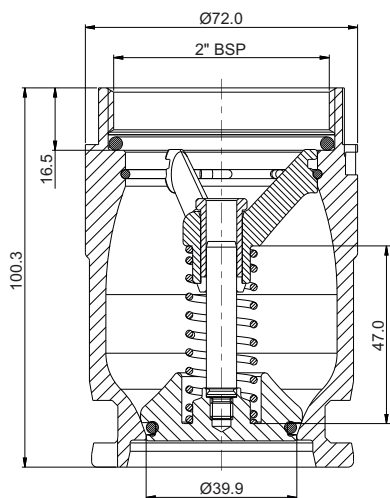
| Description                                | Part No.     |
|--|--------------|
| 2" BSP inlet, Viton seal, no selectivity   | 376V/B700A00 |
| Flanged inlet, no selectivity <b>*Note</b> | 376V/B700X00 |

**NOTE:** Different flange specifications are available. Please contact Fort Vale.

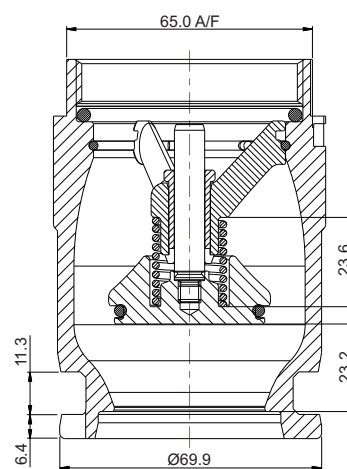
## Related Parts

| Description                       | Part No.     |
|-----------------------------------|--------------|
| 70mm pressure-tight cap           | 915/5420X    |
| 70mm/2" BSP hose unit, Viton seal | 895V/B700A00 |
| 70mm rubber dust cap              | 915/5172     |

## Section View

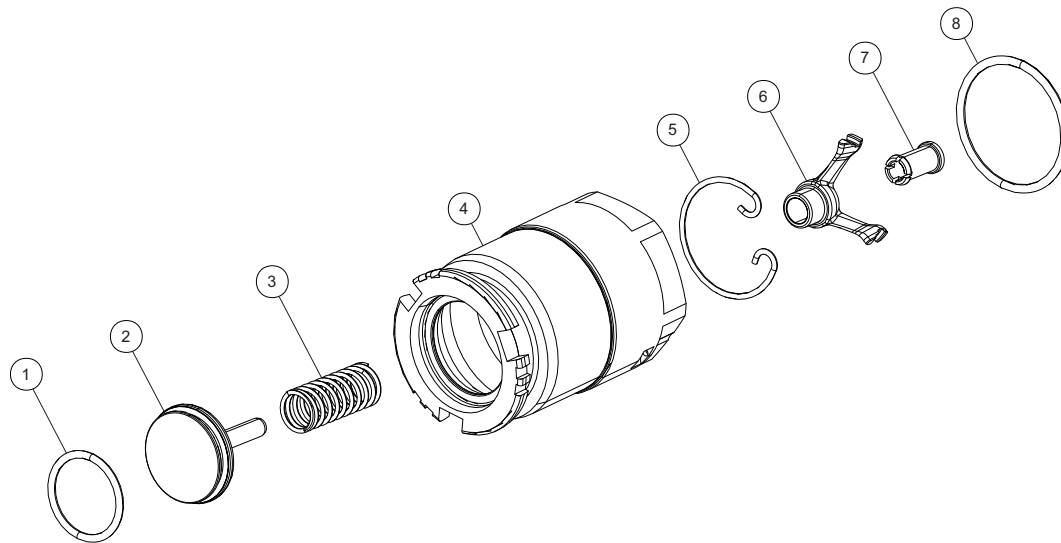


**CLOSED POSITION**



**OPEN POSITION**

## Parts Drawing



## Parts List

| Item | Description                             | Part No.    |
|------|---|-------------|
| 1    | Viton poppet O ring <b>*Note</b>        | 5005-171    |
| 2    | Poppet assembly                         | 376/B703    |
| 3    | Poppet spring                           | 5104-800    |
| 4    | 70mm body (no selectivity) <b>*Note</b> | 376/B701A00 |
| 5    | Snap ring                               | 5120-081    |
| 6    | Spider                                  | 376/B702    |
| 7    | Guide bush                              | 376/0702/2  |
| 8    | PTFE O ring                             | ORB832P0    |

**NOTE:** The tank unit specification changes the Part No.



## Specification

### Nominal size

105mm

### Inlet connection

3" BSP

### Outlet/process connection

105mm

### Properties

Fire-safe design. Non-protruding poppet

### Selectivity

None as standard. All industry accepted selective positions are available, refer to the Selectivity data sheet

### Materials

Contact parts: 316 stainless steel

Poppet O ring: Viton

Alternatives are available, refer to the Design Options page

## Design Conditions

|                         |                                       |
|-------------------------|---------------------------------------|
| Weight:                 | 3.3 Kg                                |
| Design Pressure (MAWP): | 25 Bar                                |
| Test Pressure:          | 37.5 Bar                              |
| Max. Coupling Pressure: | specified by the hose unit            |
| Design Temp. Min/Max:   | -40°C / 200°C ( <b>metal parts</b> )  |
| Design Temp. Min/Max:   | -20°C / 200°C ( <b>Viton O ring</b> ) |

**NOTE:** The working temperature of the poppet O ring can change the design temperature limits. The Design Conditions and Section View dimensions are for the specified part number only.

### Design Code

BS EN 14432

## Range

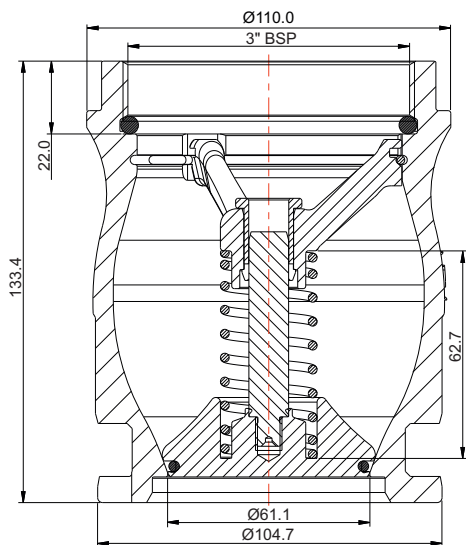
| Description                                | Part No.     |
|--|--------------|
| 3" BSP inlet, Viton seal, no selectivity   | 376V/B050A00 |
| Flanged inlet, no selectivity <b>*Note</b> | 376V/B050X00 |

**NOTE:** Different flange specifications are available. Please contact Fort Vale.

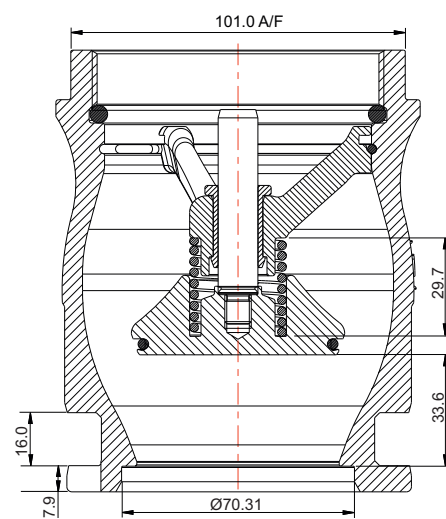
## Related Parts

| Description                        | Part No.     |
|------------------------------------|--------------|
| 105mm pressure-tight cap           | 915/5480X    |
| 105mm/3" BSP hose unit, Viton seal | 895V/B105A00 |

## Section View

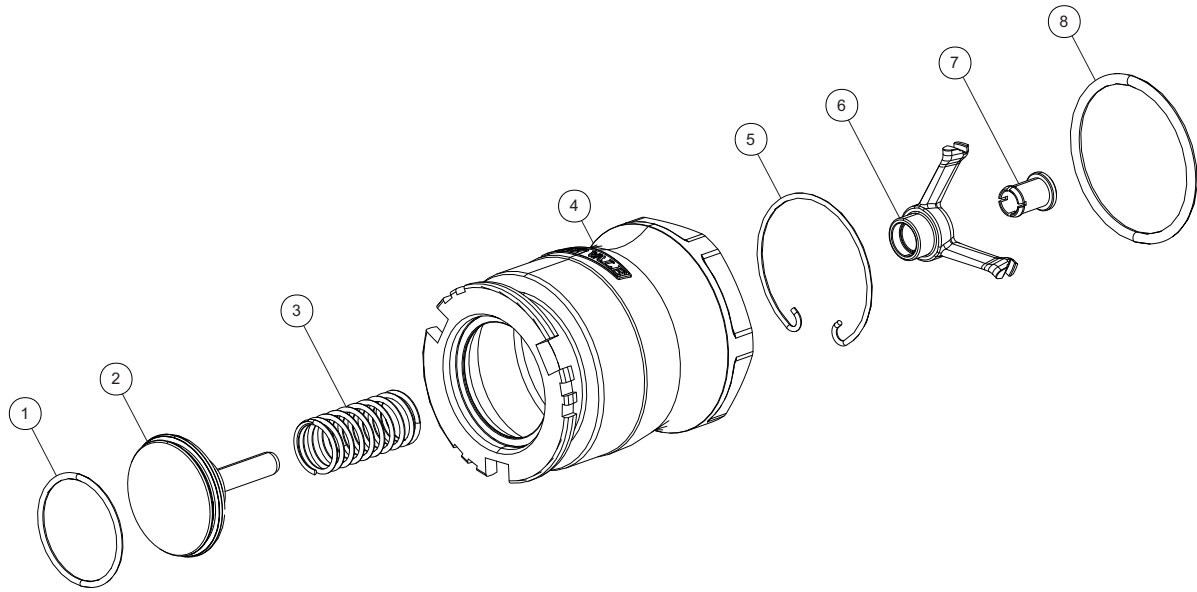


**CLOSED POSITION**



**OPEN POSITION**

## Parts Drawing



## Parts List

| Item | Description                              | Part No.    |
|------|--|-------------|
| 1    | Viton poppet O ring <b>*Note</b>         | 5005-156    |
| 2    | Poppet assembly                          | 376/B153    |
| 3    | Poppet spring                            | 5104-799    |
| 4    | 105mm body (no selectivity) <b>*Note</b> | 376/B051A00 |
| 5    | Snap ring                                | 5120-082    |
| 6    | Spider                                   | 376/B192    |
| 7    | Guide bush                               | 376/1052/2  |
| 8    | PTFE O ring                              | 5005-103    |

**NOTE:** The tank unit specification changes the Part No.



## Specification

### Nominal size

119mm

### Inlet connection

3" BSP

### Outlet/process connection

119mm

### Properties

Fire-safe design. Non-protruding poppet

### Selectivity

None as standard. All industry accepted selective positions are available, refer to the Selectivity data sheet

### Materials

Contact parts: 316 stainless steel

Poppet O ring: Viton

Alternatives are available, refer to the Design Options page

## Design Conditions

|                         |                                       |
|-------------------------|---------------------------------------|
| Weight:                 | 3.7 Kg                                |
| Design Pressure (MAWP): | 25 Bar                                |
| Test Pressure:          | 37.5 Bar                              |
| Max. Coupling Pressure: | specified by the hose unit            |
| Design Temp. Min/Max:   | -40°C / 200°C ( <b>metal parts</b> )  |
| Design Temp. Min/Max:   | -20°C / 200°C ( <b>Viton O ring</b> ) |

**NOTE:** The working temperature of the poppet O ring can change the design temperature limits. The Design Conditions and Section View dimensions are for the specified part number only.

### Design Code

BS EN 14432

STANAG 3756 (Edition 4) NATO Standardization Agency

## Range

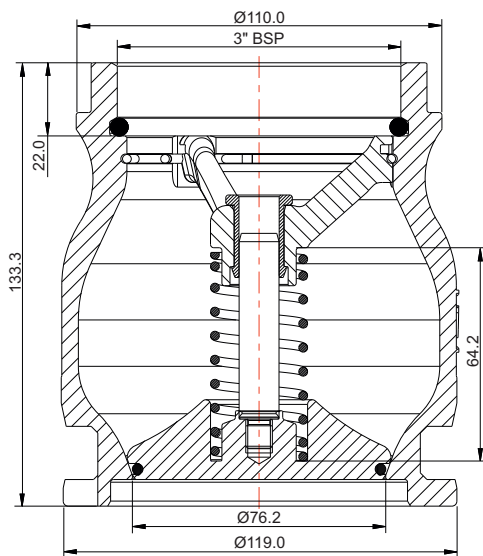
| Description                                | Part No.     |
|--|--------------|
| 3" BSP inlet, Viton seal, no selectivity   | 376V/B190A00 |
| Flanged inlet, no selectivity <b>*Note</b> | 376V/B190X00 |

**NOTE:** Different flange specifications are available. Please contact Fort Vale.

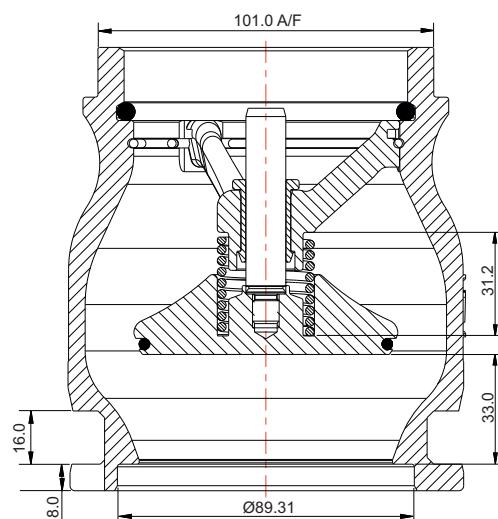
## Related Parts

| Description                        | Part No.     |
|------------------------------------|--------------|
| 119mm pressure-tight cap           | 915/5470X    |
| 119mm/3" BSP hose unit, Viton seal | 895V/B190A00 |
| 119mm rubber dust cap              | 915/5175     |

## Section View

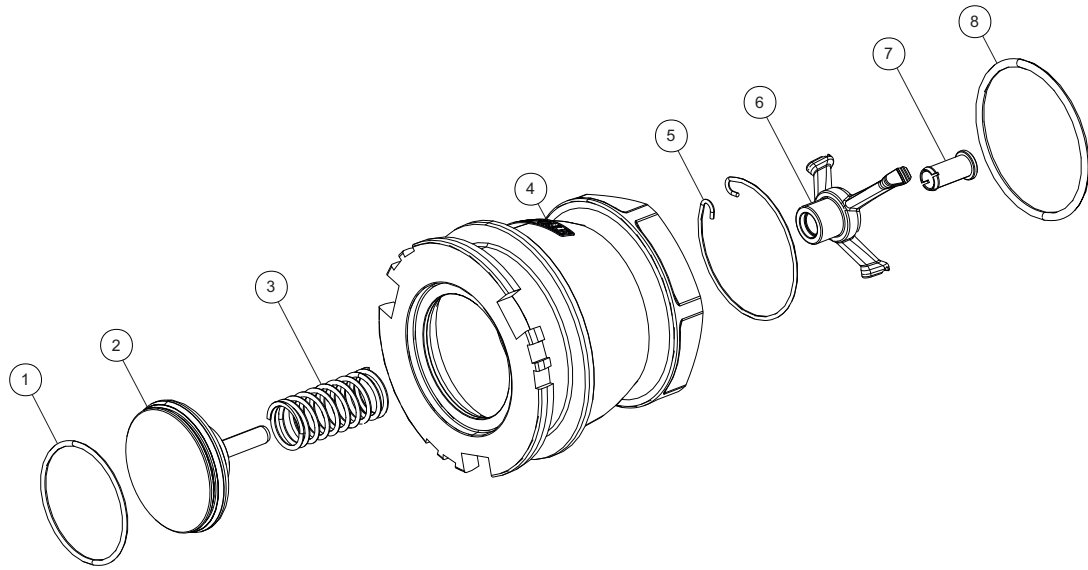


**CLOSED POSITION**



**OPEN POSITION**

## Parts Drawing

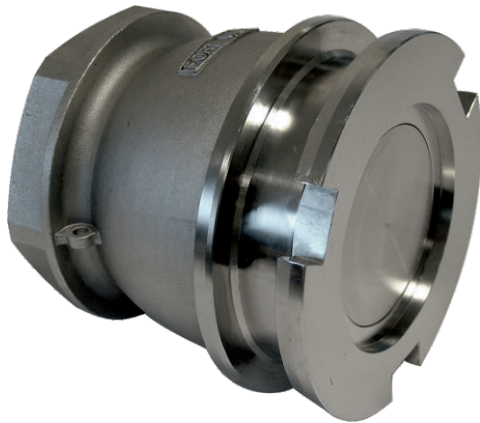


## Parts List

| Item | Description                              | Part No.    |
|------|--|-------------|
| 1    | Viton poppet O ring <b>*Note</b>         | 5005-730    |
| 2    | Poppet assembly                          | 376/B193    |
| 3    | Poppet spring                            | 5104-799    |
| 4    | 119mm body (no selectivity) <b>*Note</b> | 376/B191A00 |
| 5    | Snap ring                                | 5120-082    |
| 6    | Spider                                   | 376/B192    |
| 7    | Guide bush                               | 376/1052/2  |
| 8    | PTFE O ring                              | 5005-103    |

**NOTE:** The tank unit specification changes the Part No.





## Specification

### Nominal size

164mm

### Inlet connection

4" BSP

### Outlet/process connection

164mm

### Properties

Fire-safe design. Non-protruding poppet

### Selectivity

None as standard. All industry accepted selective positions are available, refer to the Selectivity data sheet

### Materials

Contact parts: 316 stainless steel

Poppet O ring: Viton

Alternatives are available, refer to the Design Options page

## Design Conditions

|                         |                                       |
|-------------------------|---------------------------------------|
| Weight:                 | 7.4 Kg                                |
| Design Pressure (MAWP): | 10 Bar                                |
| Test Pressure:          | 16 Bar                                |
| Max. Coupling Pressure: | specified by the hose unit            |
| Design Temp. Min/Max:   | -40°C / 200°C ( <b>metal parts</b> )  |
| Design Temp. Min/Max:   | -20°C / 200°C ( <b>Viton O ring</b> ) |

**NOTE:** The working temperature of the poppet O ring can change the design temperature limits. The Design Conditions and Section View dimensions are for the specified part number only.

### Design Code

BS EN 14432

## Range

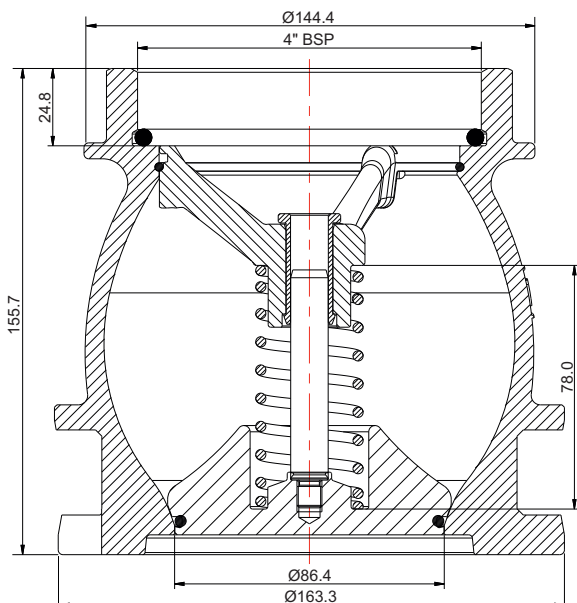
| Description                                | Part No.     |
|--|--------------|
| 4" BSP inlet, Viton seal, no selectivity   | 376V/B640A00 |
| Flanged inlet, no selectivity <b>*Note</b> | 376V/B640X00 |

**NOTE:** Different flange specifications are available. Please contact Fort Vale.

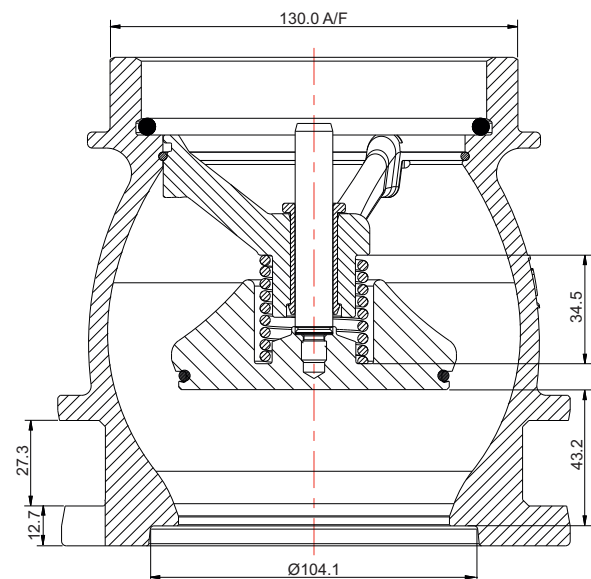
## Related Parts

| Description                        | Part No.     |
|------------------------------------|--------------|
| 164mm pressure-tight cap           | 915/5490X    |
| 164mm/4" BSP hose unit, Viton seal | 895V/B164A00 |
| 164mm rubber dust cap              | 915/5176     |

## Section View

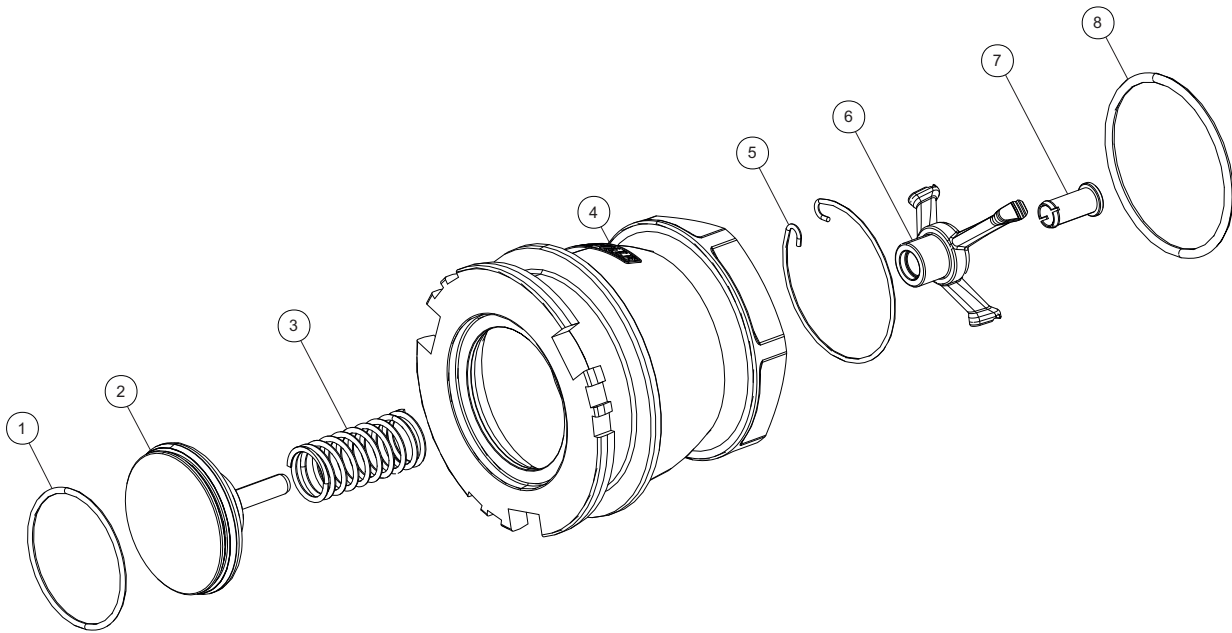


**CLOSED POSITION**



**OPEN POSITION**

## Parts Drawing



## Parts List

| Item | Description                              | Part No.    |
|------|--|-------------|
| 1    | Viton poppet O ring <b>*Note</b>         | 5005-551V   |
| 2    | Poppet assembly                          | 376/B643    |
| 3    | Poppet spring                            | 5104-807    |
| 4    | 164mm body (no selectivity) <b>*Note</b> | 376/B641A00 |
| 5    | Snap ring                                | 5120-072    |
| 6    | Spider                                   | 376/B642    |
| 7    | Guide bush                               | 376/1642/2  |
| 8    | PTFE O ring                              | ORB345P0    |

**NOTE:** The tank unit specification changes the Part No.